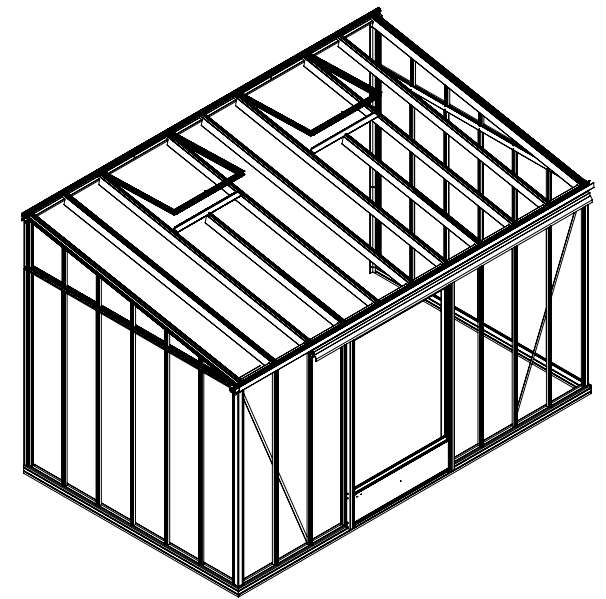
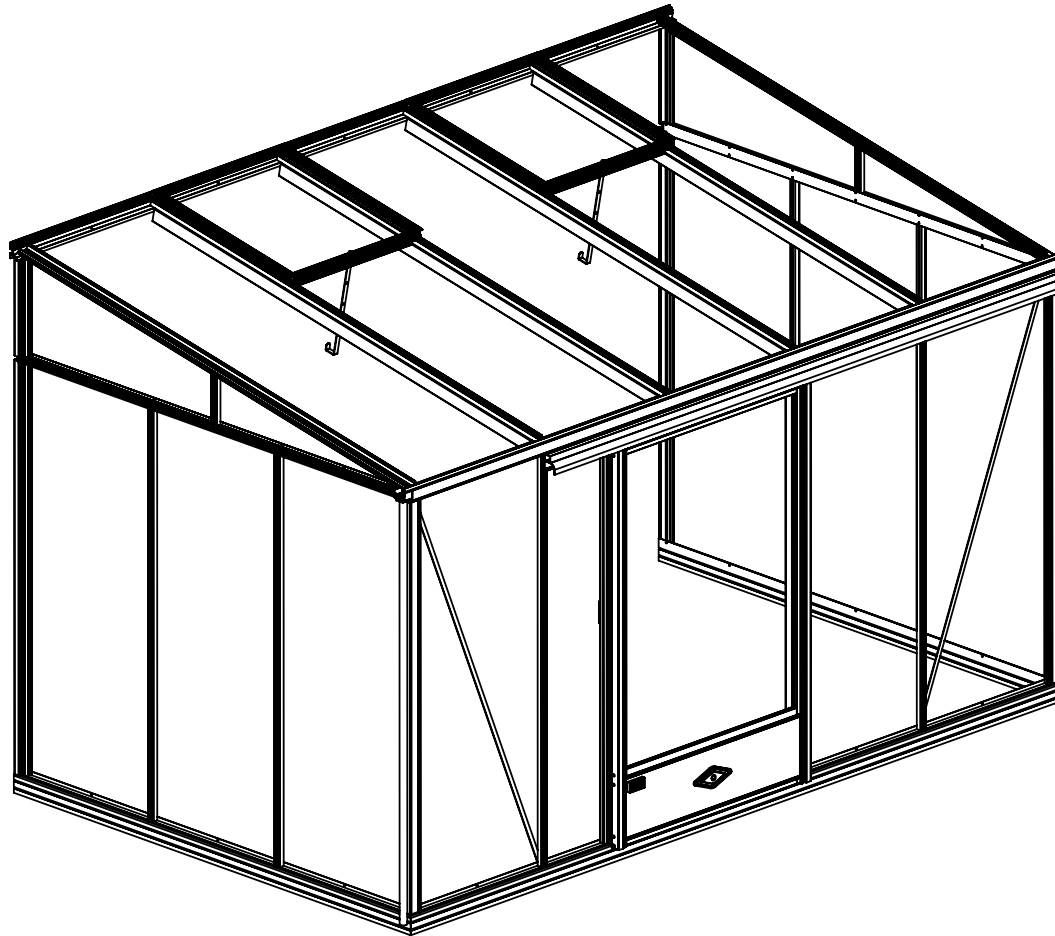


GREENHOUSE LUXIA LEAN-TO

WIDTH 2,32M



*Instructions compatible with the
Luxia Retro greenhouses*



French glasshouse designer & manufacturer since 199

TABLE OF CONTENTS

• Recommendations	03-04	• Installation of the roof profiles to the ridge	25
• List of small parts	05	• Installation of the wall brackets on the interior of the greenhouse	26
• List of profiles	06-07	• Installation of the wall brackets on the exterior of the greenhouse	27
• Choice of fixing your greenhouse to the ground	08	• Information on the installation of the glazing and seal	28
• Fixing on point foundation	09	• Installation of the glazing	29-30
• Fixing on strip foundation or concrete slab	10	• Installation of the upper door rail (for sliding door)	31
• Assembly of the baseframe	11	• Assembly of the door	32-34
• Installation of the corner profiles	12	• Installation of the door	35
• Installation of the wall profiles	13	• Installation of the door stoppers for double sliding door	36-37
• Installation of the crossbeams	14	• Installation of the swing door doorframe profiles (single and double)	38
• Installation of the upper wall profiles	15	• Installation of the swing door (single and double)	39
• Installation of the rain gutter profile	16	• Assembly of the roof window	40
• Installation of the windbraces on the front side	17	• Installation of the roof window stopper profile	41
• Installation of the wall profiles	18	• Installation of the under-window profile – Retro version	42
• Installation of the exterior roof profiles on the gutter profile	19	• Installation of the roof window	43
• Installation of the roof ridge	20	• Finishing touches on the greenhouse	44-45
• Fixing the ridge on the lean-to wall	21	• Condensation drainage	46
• Installation of the ridge coping	22-23	• Options & accessories	47-50
• Installation of the roof profile to the gutter	24		

ADDITIONAL INFORMATION DEPENDING ON GUTTER HEIGHT

Some profiles and glass vary in size depending on the gutter height of your greenhouse (1.80 m or 2.00 m).

The product code and dimensions of the profiles and glass for the two gutter heights are given in the parts lists and on the relevant pages of the instructions.

ADDITIONAL INFORMATION FOR THE RETRO MODELL

Luxia Retro

Follow the assembly steps in these instructions with all wall, roof and gable profiles, as well as glass panes supplied. The number of profiles will be higher than on the visuals in these instructions: with the Retro version of this greenhouse, the glazing is 36 cm and not 73 cm wide. This means that an additional profile is needed between the wall, roof and gable profiles shown on the instructions, as well as under the windows (see indications on page 7).

RECOMMENDATIONS



IMPORTANT

Remember to declare your greenhouse to your insurer.

Please read these instructions carefully before starting with the assembly.

Please ensure that all the individual parts listed in these instructions are included in the scope of delivery and check the quantities.

Please follow the steps in the order given in the instruction manual.

Do not be surprised if you see some aluminium profiles that have $\varnothing 3$ mm small holes, although according to the instructions no holes are provided. These holes were used to hang the profiles in the spraying booth using a 3 mm steel wire.

SAFETY INSTRUCTIONS

Please wear gloves, shoes and protective goggles when assembling the greenhouse.

Take into account the safety instructions for the tools you use for this assembly.

Do not set up your greenhouse in bad weather (rain, wind, thunderstorms...).

The greenhouse must be assembled by a minimum of 2 people.

The plastic bags and small parts should be kept out of the reach of children. Keep children away from the assembly area.

Aluminium is an electrically conductive metal, keep the aluminium profiles away from all electrical sources.

Heat generating appliances (barbecue, burners, ...) must not be stored in the greenhouse.

The greenhouse must be placed and fixed on a horizontal and level floor, not exposed to the wind.

Make sure that there are no networks (water, electricity or gas) under the installation site.

Caution, do not climb onto the roof: risk of falling and serious injury.

In case of heavy snowfall, do not let the snow accumulate on the roof.

MAINTENANCE INSTRUCTIONS

Use clear soapy water to clean your greenhouse.

Do not use acetone, abrasive cleaners or other cleaning agents to clean the greenhouse.

Use the high-pressure cleaner from a safe distance.

Lubricate the door rail regularly.

Clear the roof of snow and leaves.

CUSTOMER SERVICE AND INFORMATION

Site internet: contact@lams-greenhouse.com

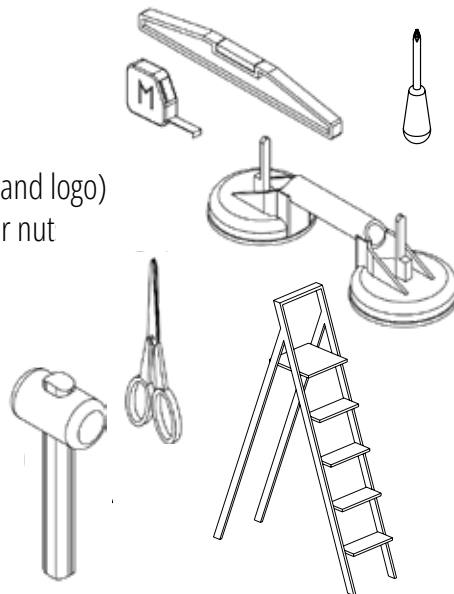
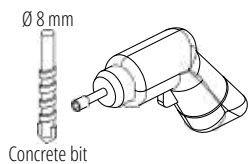
RECOMMENDATIONS

ACCESSORIES INCLUDED



NECESSARY TOOLS

- Level
- Measuring tape
- Rubber mallet
- Scissors (to cut the gasket)
- Screwdriver
- Ø 8 mm wrench (for palmette and logo)
- Ø 13 mm wrench (for the roller nut)
- Cordless screwdriver
- Ladder



ASSEMBLING THE PROFILES OF YOUR GREENHOUSE

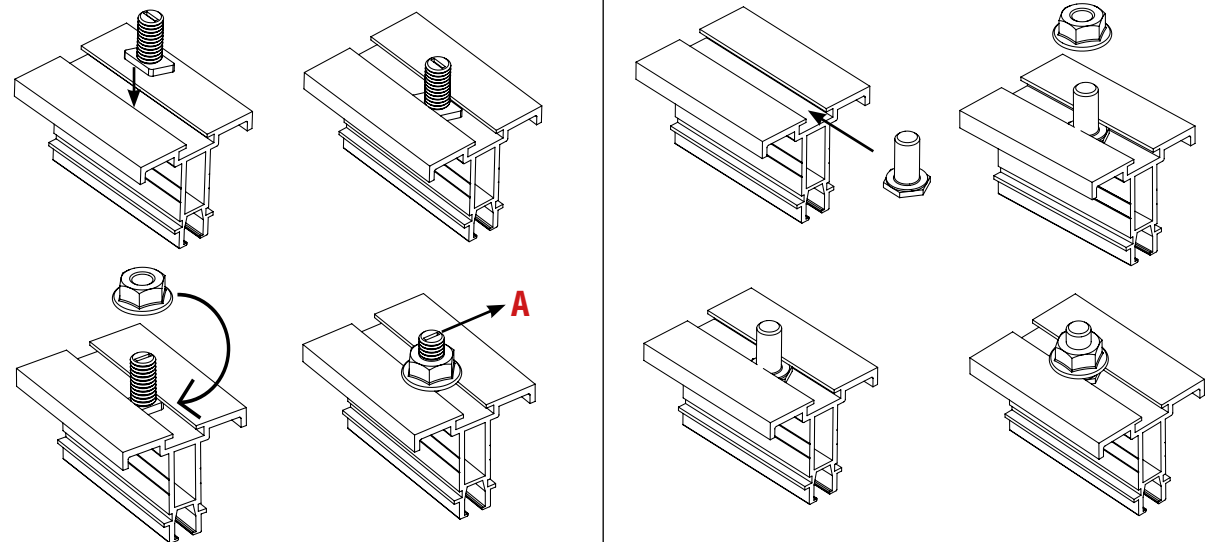
The M6 nuts (5) and screws (3) (hammer-head and hexagonal - 50% each) are essential components for the assembly.

The hammer-head screw can be inserted into your profile at any time. However, it must be ensured that the hammer-head screw is correctly placed, so that it does not fall out of the profile.

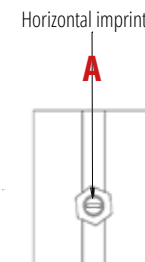


The hexagon head screw is inserted at one end of the profile and cannot be removed from the profile after assembly.

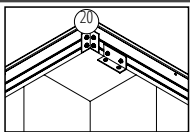
Favour hex-head screws as much as possible at the beginning of the assembly. On the instructions you will only find illustrations of the hammer-head screw (3), but you can use the screw of your choice.



At the foot of the hammer-head screw there is a slot. The perpendicular positioning of the slot to the the profile groove (visual **A**) ensures that the head of the screw is correctly inserted.




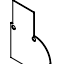
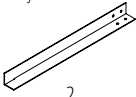

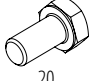


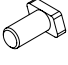




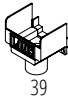

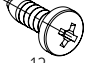









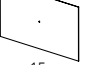
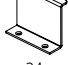







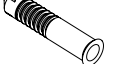
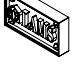





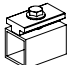



Indication of the instructions

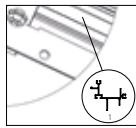


LIST OF SMALL PARTS

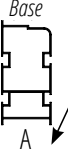
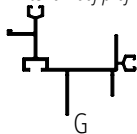
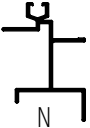
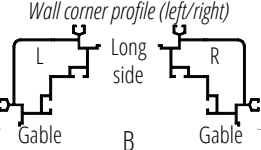
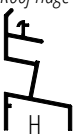
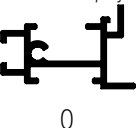
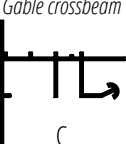
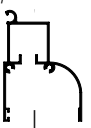

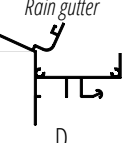
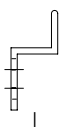
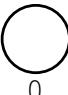
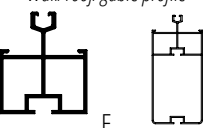
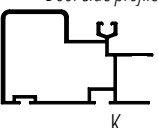
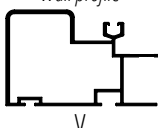


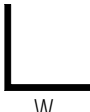
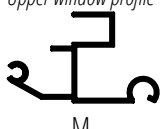

The 6-digit part number (ex.: 795526) enables identification of the components in case of exchanges with you and our customer service.

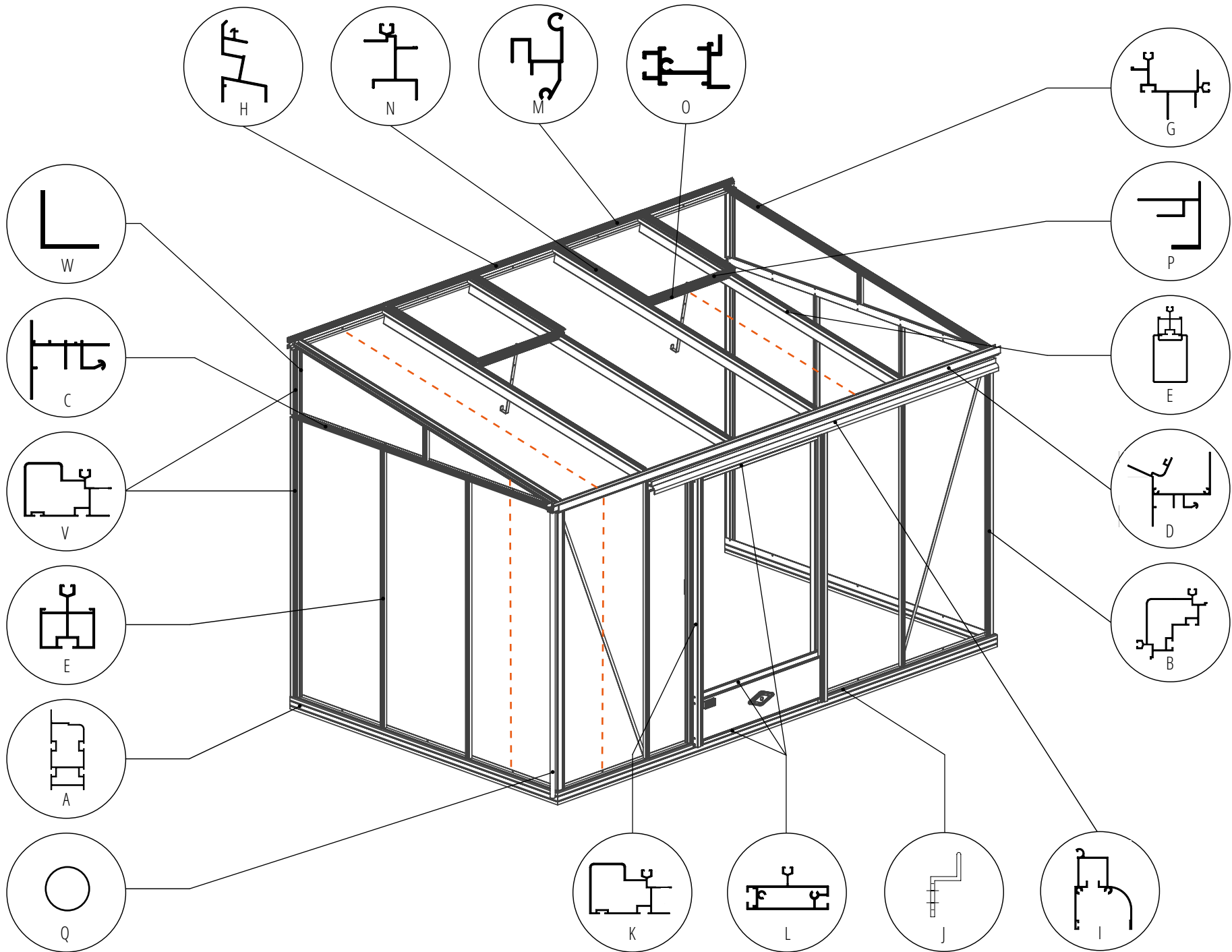
Component detail	Part number	Component detail	Part number	Component detail	Part number	Component detail	Part number	Component detail	Part number
 1 Baseframe corner bracket 40 x 40 x 72.5 mm	795526	10		 19 Black plastic nut cap M5	787551	 28 Small door sealing brush	952891	 37 Door rail cover	795214
 2 Baseframe corner anchor L. 500 mm	953909	 11 Obturator for 8mm polycarbonate	795795	 20 Hex-head screw M8x12mm	795346	 29 Big door sealing brush	795344	 38 Ridge cover	953913
  3 Hammerhead screw M6x12mm Hex-head screw M6x12mm	365401 994778	 12 Round head drilling screw 4,8x25mm	796735	 21 Door roller	954916	 30 Black double lip EPDM seal	794421	 39 Gutter outlet Ø32mm	795032
 4 Hammerhead screw M6x20mm	608010	 13 Round head drilling screw 4,2x16mm	365426	 22 Flat disk Ø8x30mm	365500	 31 Black single lip EPDM seal	606162	 40 Gutter endpiece	953907
 5 Flange nut M6	789280	 14 Black plastic cover cap Ø10 for door	795345	 23 Nut M8	365472	 32 Rubber seal lower window profile	795456	 41 Downpipe clamp Ø32mm	795337
 6 M6 black plastic nut	365483	 15 Lower door panel	795211 1031 x 267 mm	 24 Interior door handle	795213	 33 Manual window opener	953914	 42 Downpipe clamp Ø32mm	367140
 7 Ground fastening bracket	364580	 16 Leaf-moulding	363235	 25 Exterior door handle	795212	 34 Hex-head screw M6x40mm	797679	 L3 M6 waterproof PVC disk	797738
 8 Nylon dowel 8x40mm	365580	 17 LAMS Logo	794995	 26 Hex-head drilling screw 6,3x25,4mm	365424	 35 Nut M6	365484	 44 S hooks for 4mm glass	365373
 9 Countersunk screw M5x60mm	365548	 18 Hex-head screw M5x8mm	364408	 27 Double sliding door stopper	608395	 36 Hex-head screw M6x20mm	624245		

LIST OF PROFILES



Indication of the instructions

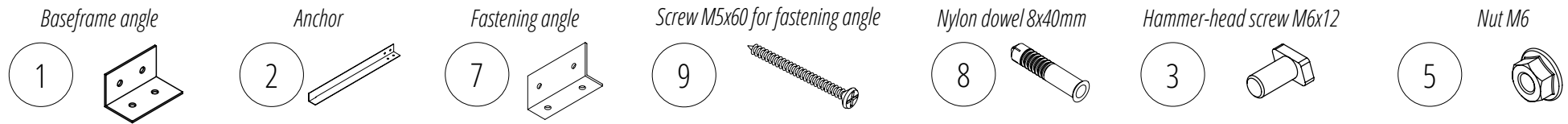
Component detail	Part number	Détail composant	Part number	Détail composant	Part number
 <p>Base</p>	Greenhouse L. 2.36 m: 954924 Greenhouse L. 3.09 m: 952894 Greenhouse L. 3.80 m: 954923 Greenhouse L. 4.57 m: 952893 Greenhouse L. 5.30 m: 954945 Greenhouse L. 6.04 m: 954946 Left gable (L): 795909 (L. 2323 mm) Right gable (R): 795908 (L. 2323 mm)	 <p>Exterior roof profile</p>	Left side (L): 795867 L. 2307 mm Right side (R): 795864 L. 2307 mm	 <p>Side window profile</p>	952903 L. 810 mm
 <p>Wall corner profile (left/right)</p>	<p>Front of gable</p> <p>Left side (L)</p> G.H. 1.80 m: 954925 - L. 1638 mm G.H. 2.00 m: 953897 - L. 1838 mm <p>Right side (R)</p> G.H. 1.80 m: 954926 - L. 1638 mm G.H. 2.00 m: 952896 - L. 1838 mm	 <p>Roof ridge</p>	Greenhouse L. 2.36 m: 795278 Greenhouse L. 3.09 m: 994881 Greenhouse L. 3.80 m: 994882 Greenhouse L. 4.57 m: 994883 Greenhouse L. 5.30 m: 994884 Greenhouse L. 6.04 m: 994885	 <p>Lower window profile</p>	952905 L. 731 mm
 <p>Gable crossbeam</p>	994813 - L. 2280 mm	 <p>Upper door rail</p>	795225 L. 2247 mm	 <p>Window stopper profile</p>	604661 L. 696 mm
 <p>Rain gutter</p>	Greenhouse L. 2.36 m: 795469 Greenhouse L. 3.09 m: 795477 Greenhouse L. 3.80 m: 994800 Greenhouse L. 4.57 m: 795468 Greenhouse L. 5.30 m: 994798 Greenhouse L. 6.04 m: 994799	 <p>Lower door rail</p>	954935 L. 2238 mm	 <p>Aluminium downpipe Ø32mm</p>	G.H. 1.80 m: 954920 - L. 1695 mm G.H. 2.00 m: 953908 - L. 1895 mm
 <p>Wall/roof/gable profile</p>	Side G.H. 1.80 m: 795226 - L. 1638 mm Side G.H. 2.00 m: 952895 - L. 1838 mm Roof: 797917 - L. 2307 mm Gable: 994806 - L. 230 mm RETRO gable: L. 87 mm, L. 159 mm, L. 230 mm, L. 303 mm & L. 373 mm	 <p>Door side profile R/L</p>	Left side: G.H. 1.80 m: 796095 - L. 1598 mm G.H. 2.00 m: 952909 - L. 1798 mm Right side: G.H. 1.80 m: 796096 - L. 1598 mm G.H. 2.00 m: 952910 - L. 1798 mm	 <p>Wall profile</p>	H.G. 1.80 m: 795097 - L. 1638 mm H.G. 2.00 m: 952908 - L. 1838 mm Left side (L): 795854 - L. 450 mm Right side (R): 795859 - L. 450 mm
 <p>Wall windbrace</p>	G.H. 1.80 m: 954918 - L. 1803 mm G.H. 2.00 m: 953915 - L. 1985 mm	 <p>Door intermediate profile</p>	952911 L. 1030 mm	 <p>Wall corner bracket</p>	H.G. 1.80 m: 796098 - L. 2186 mm H.G. 2.00 m: 994810 - L. 2386 mm
		 <p>Upper window profile</p>	952904 L. 770 mm	 <p>Ridge coping</p>	607900 - L. 2300 mm



--- Indications for additional profiles for Luxia Retro greenhouses

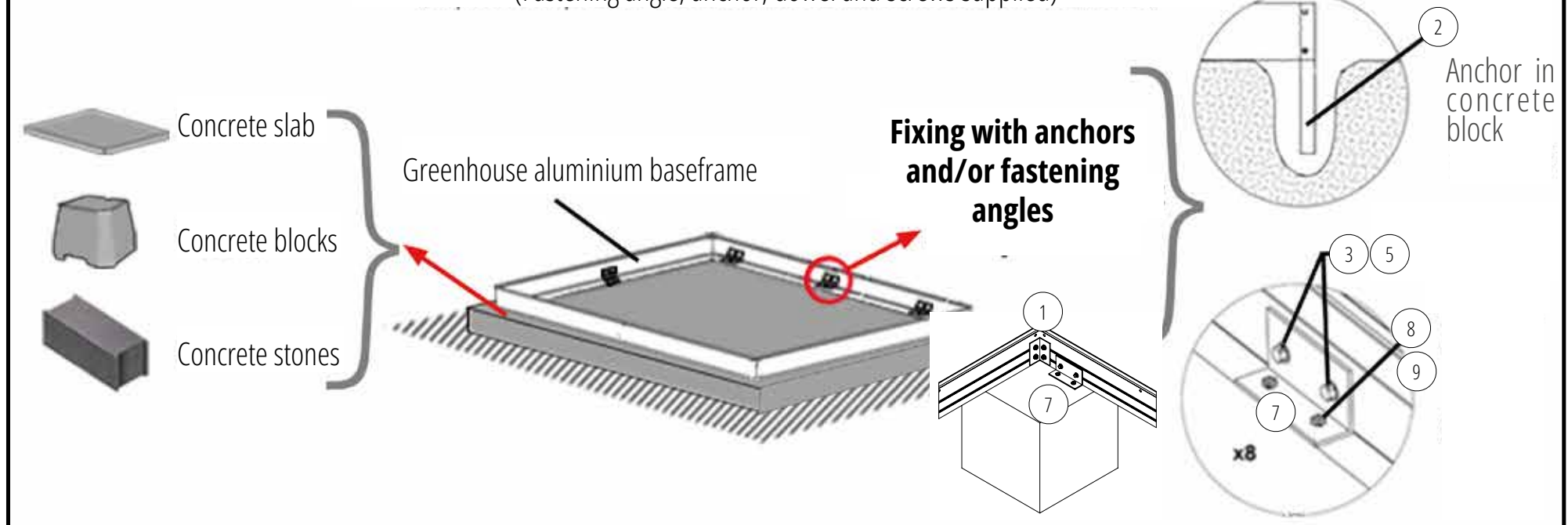
CHOICE OF FIXING YOUR GREENHOUSE TO THE GROUND

All the necessary parts are supplied to set up your greenhouse on a concrete slab, on concrete blocks (point foundation) or on a concrete frame (strip foundation). Whichever you choose, it is imperative that your greenhouse is erected on a level surface. Before attaching your foundation frame to the foundation of your choice, check that the two diagonals of your foundation frame are at right angles.



FIXING ON CONCRETE SLAB, POINT OR STRIP FOUNDATION

(Fastening angle, anchor, dowel and screws supplied)

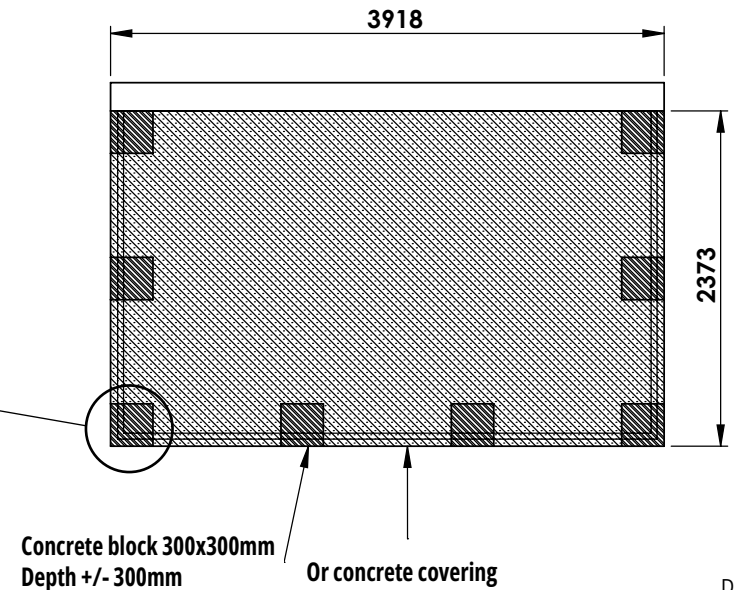
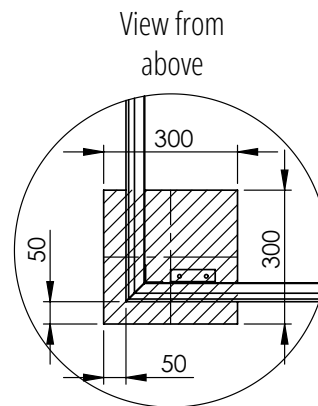
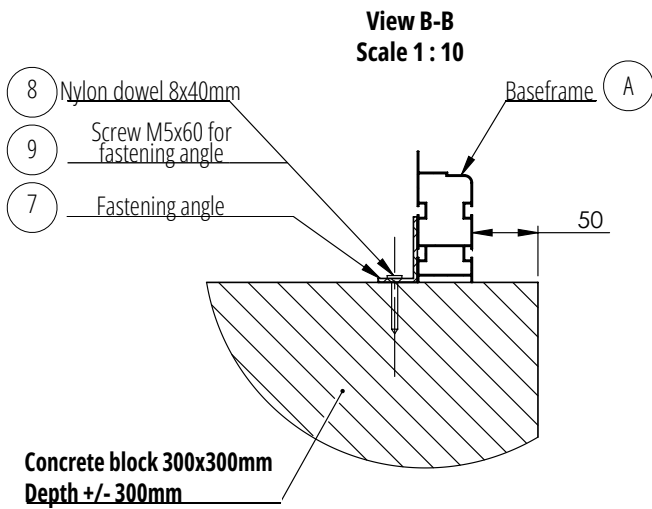
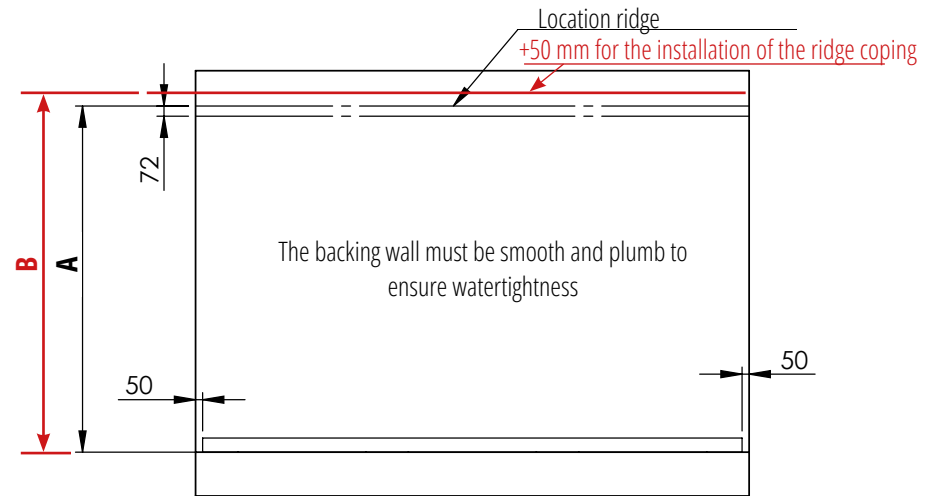
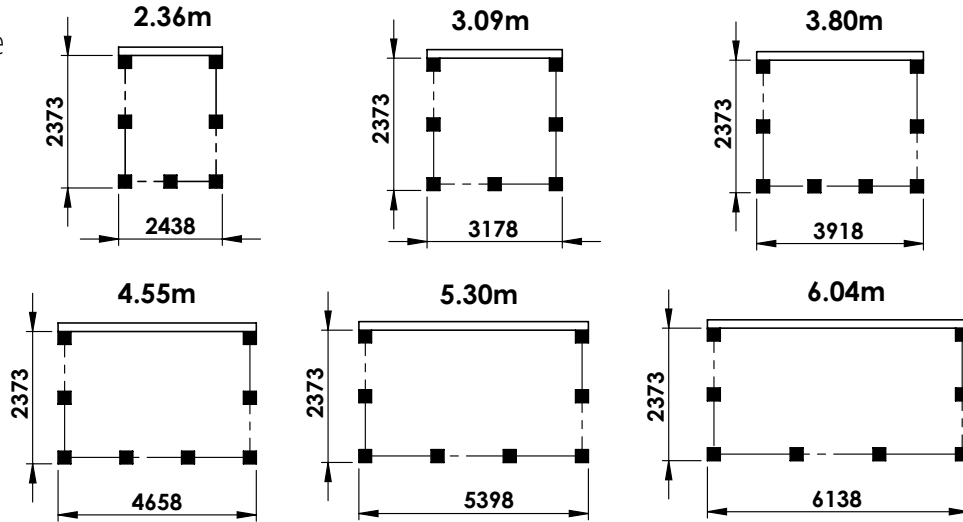


FIXING ON POINT FOUNDATION

2,32 m greenhouse width

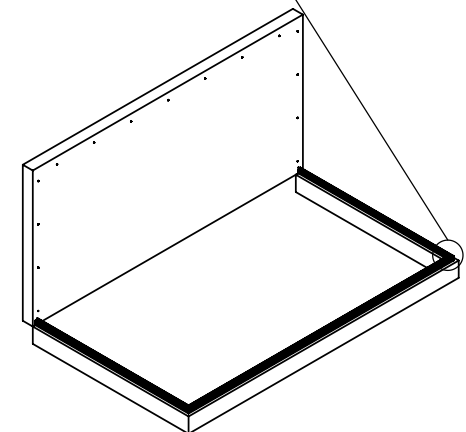
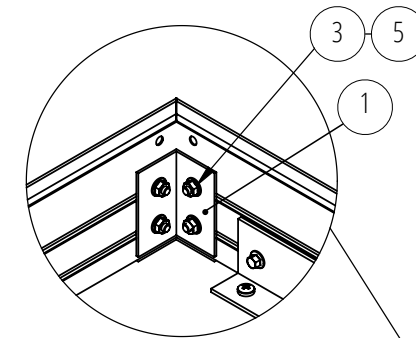
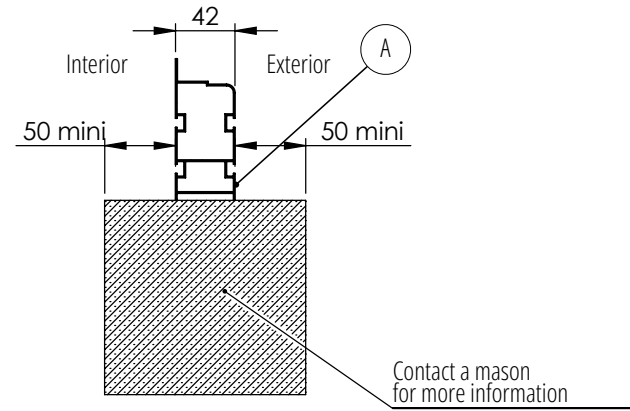
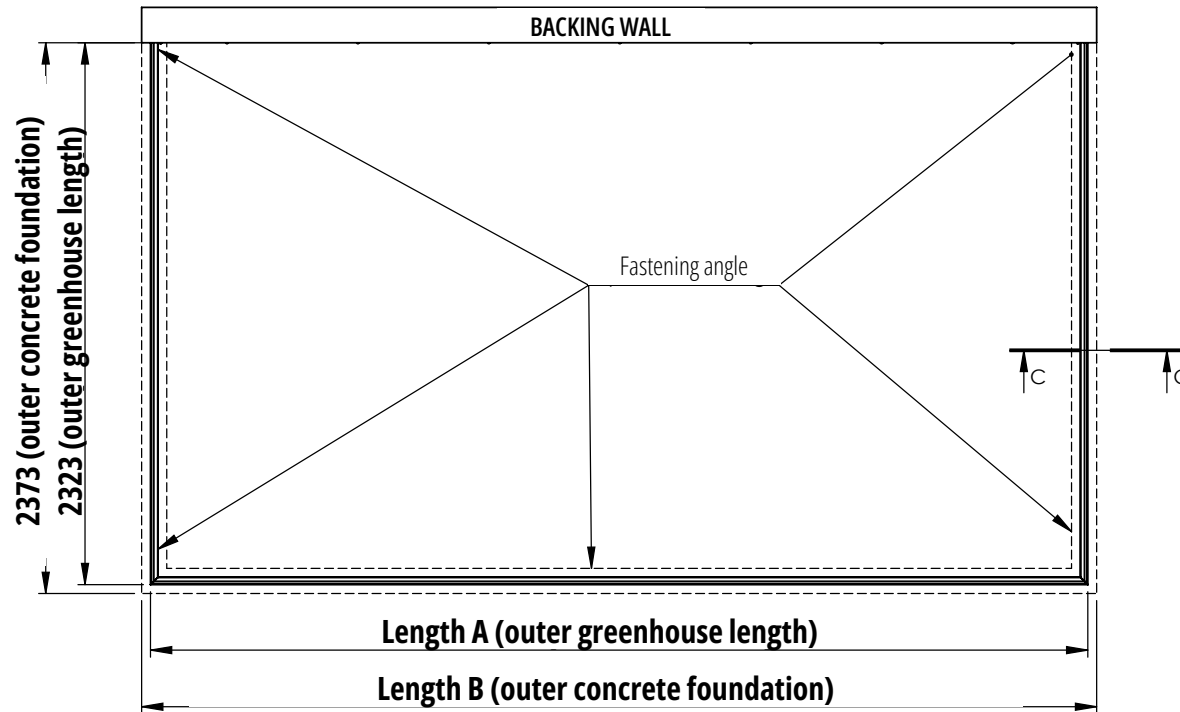
Gutter height	1.80 m	2.00 m
Measure A (mm)	2249	2450
Measure B (mm)	2299	2500

According to the greenhouse length



FIXING ON STRIP FOUNDATION OR CONCRETE SLAB

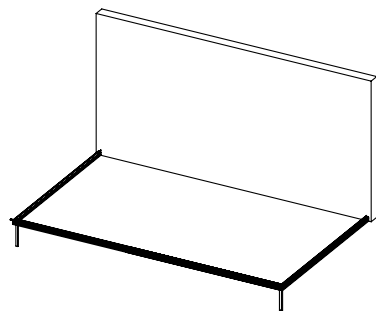
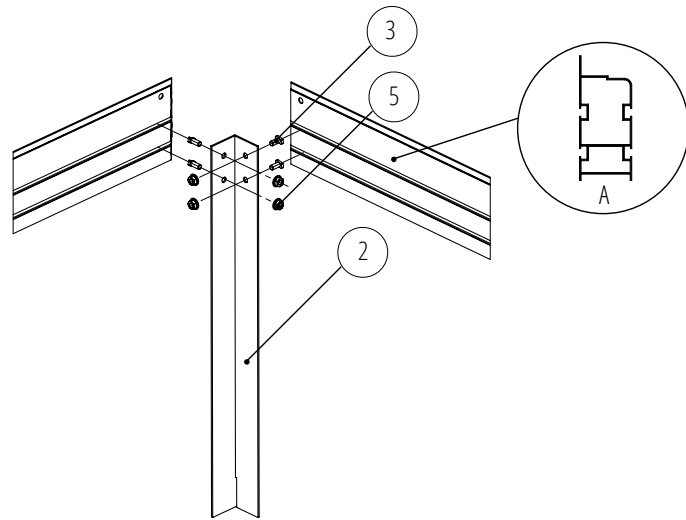
The lean-to wall must be smooth and plumb in order to attach the greenhouse to it and ensure better waterproofing. Please refer to the previous page for information on the concrete frame to be built around the lean-to wall.



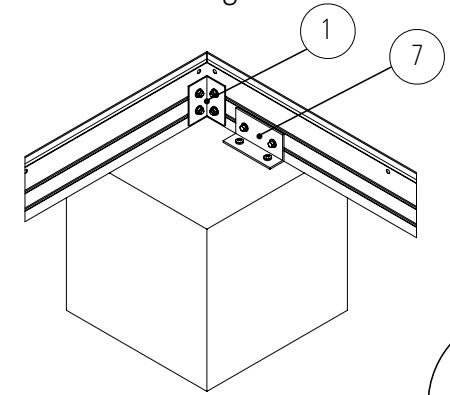
Greenhouse length	2.36 m	3.09 m	3.80 m	4.57 m	5.30 m	6.04 m
Length A (mm)	2338	3078	3818	4558	5298	6038
Length B (mm)	2438	3178	3918	4658	5398	6138

ASSEMBLY OF THE BASEFRAME

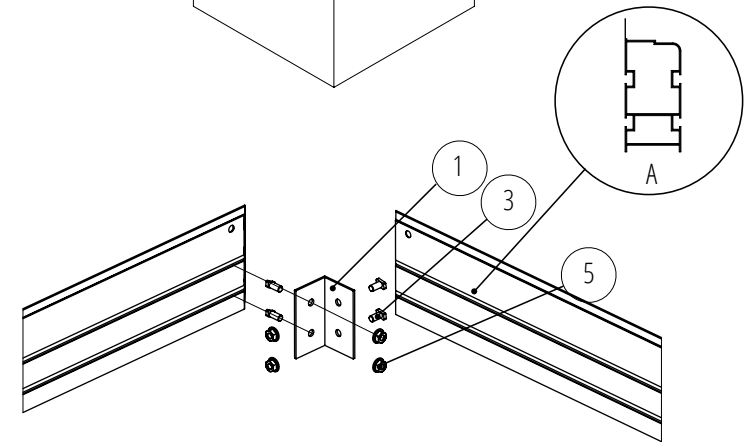
Case 1 with anchor in the corners and fastening angles on the sides in and on concrete blocks (point foundation).



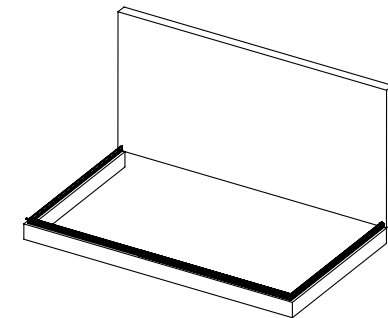
End result



Step 1



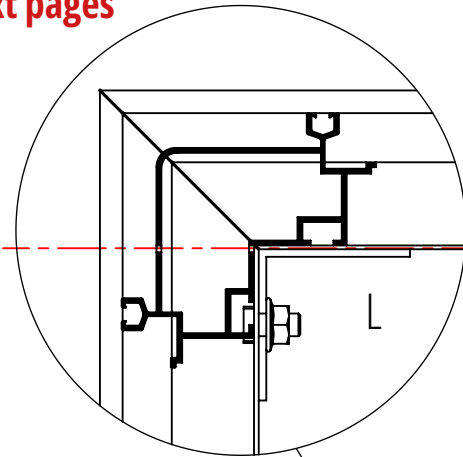
Overview



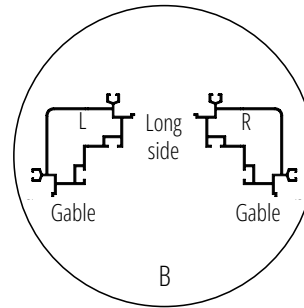
Fix your baseframe permanently after complete assembly of the aluminium structure (except doors and windows) on a flat and right-angled surface.

Detailed view on
the next pages

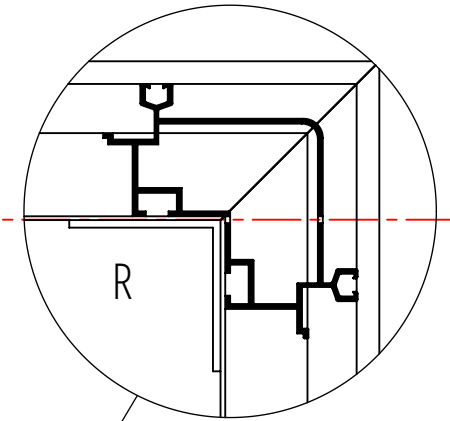
INSTALLATION OF THE CORNER PROFILES



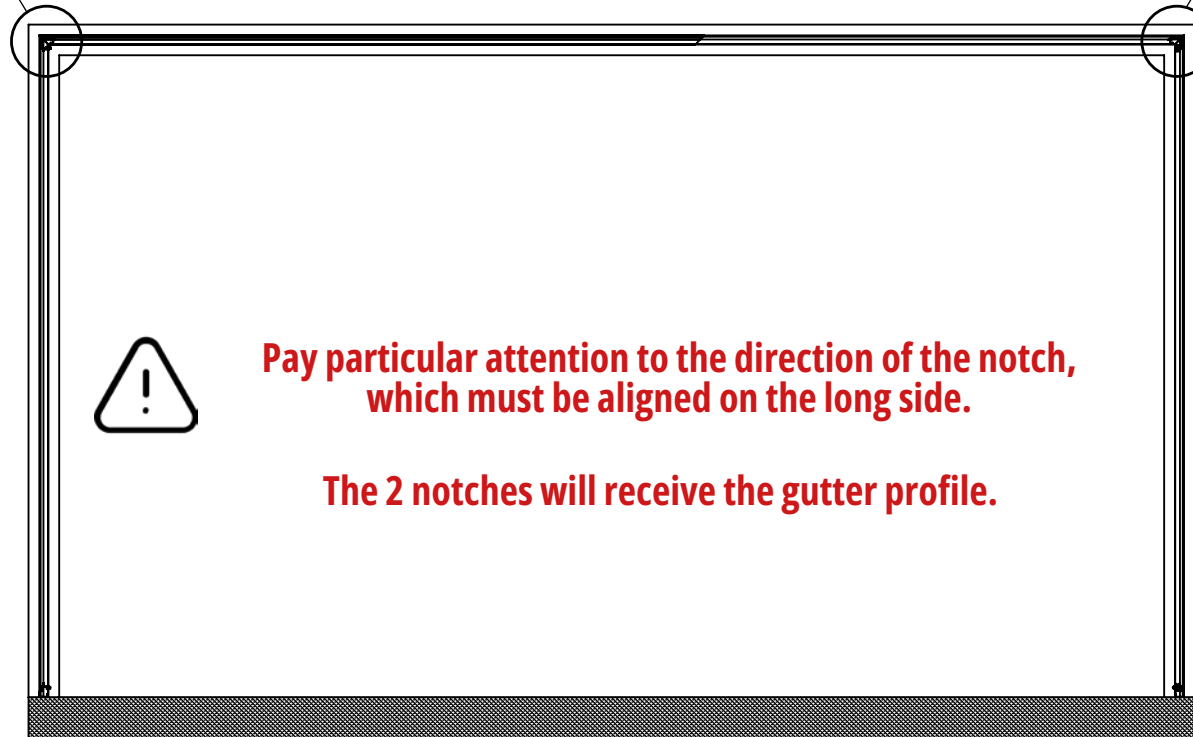
Direction of the notch



Direction of the notch



Install the corner profiles on the front right and left of the baseframe



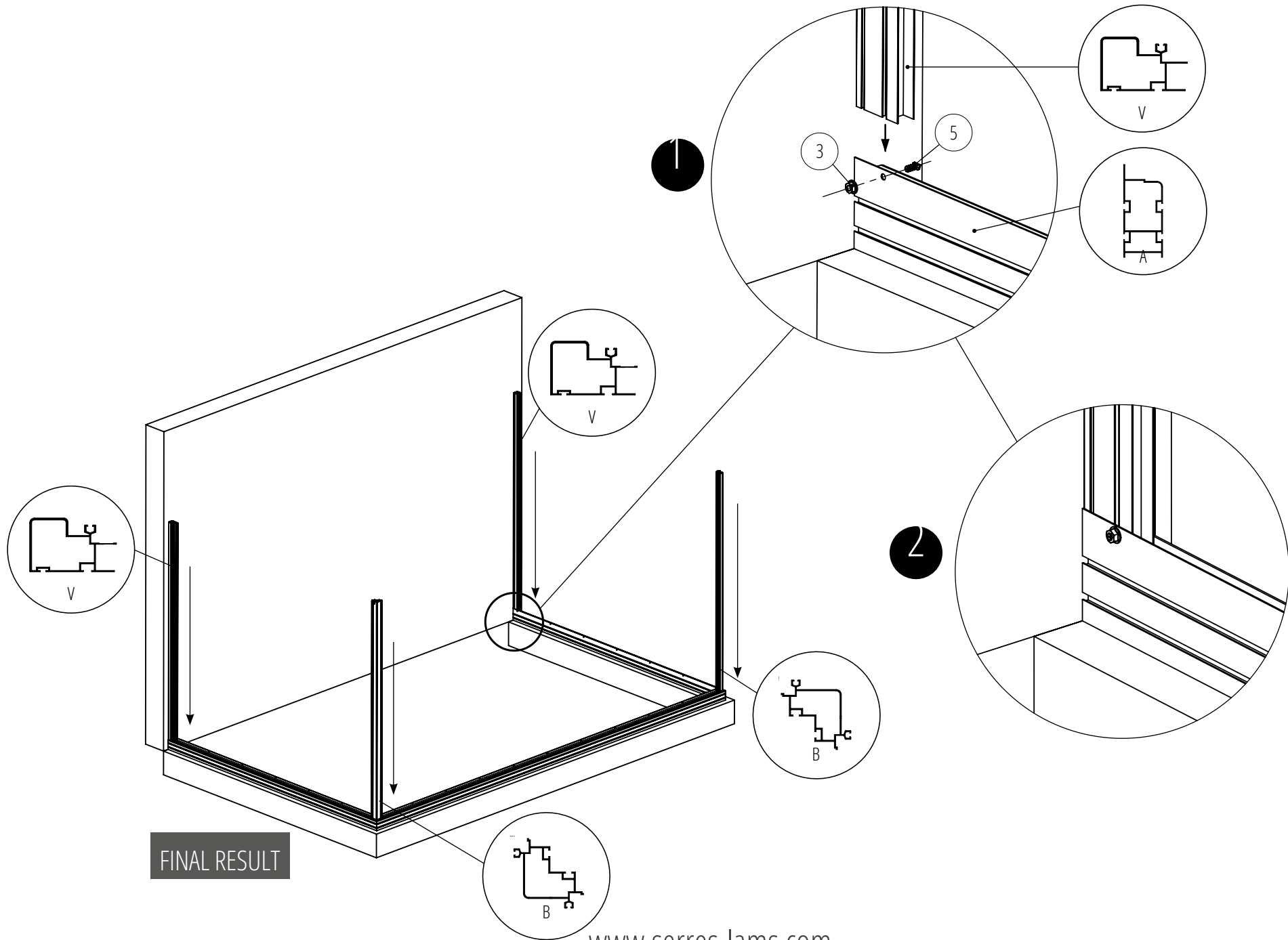
**Pay particular attention to the direction of the notch,
which must be aligned on the long side.**

The 2 notches will receive the gutter profile.

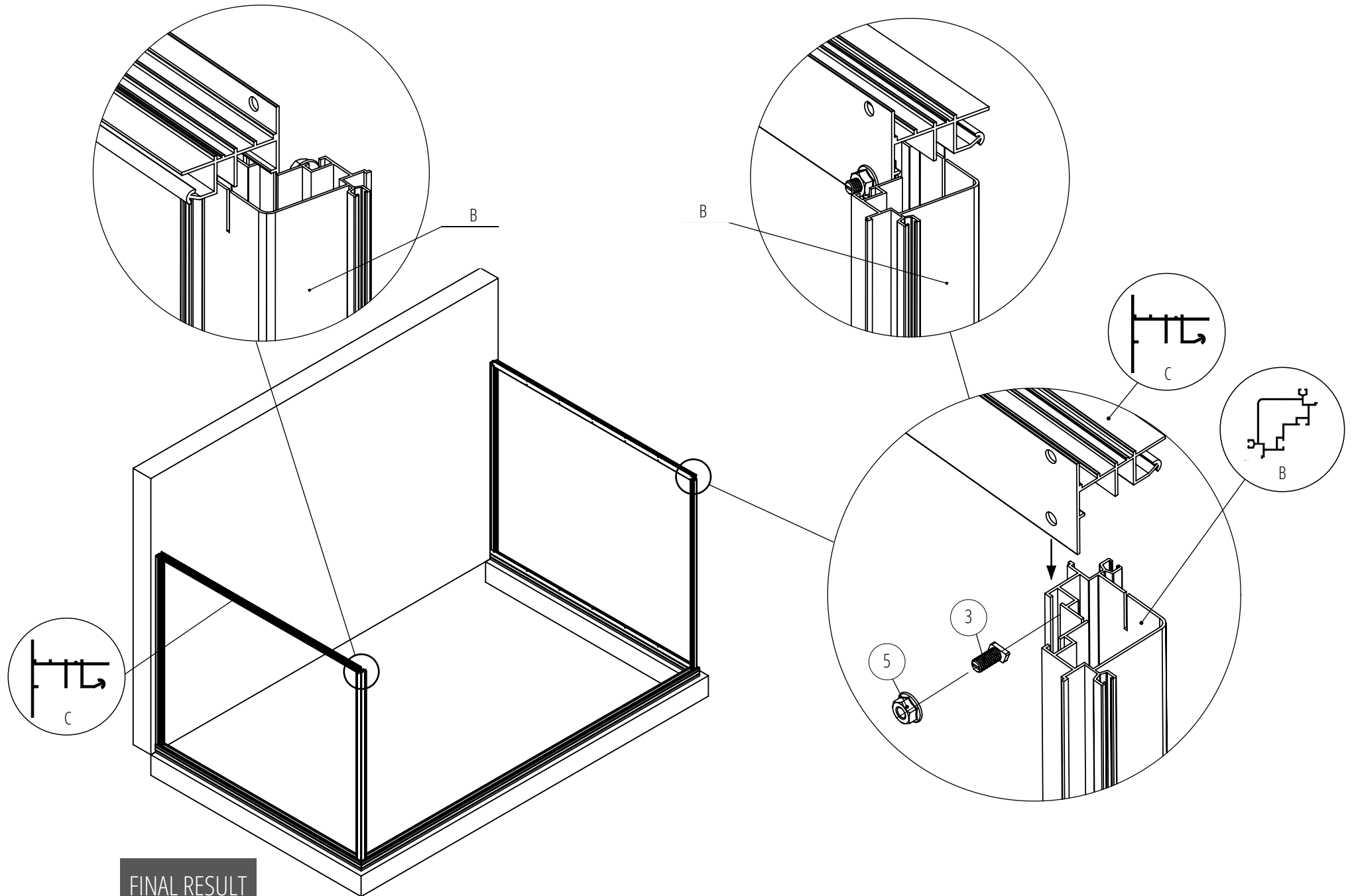


WALL

INSTALLATION OF THE WALL PROFILES

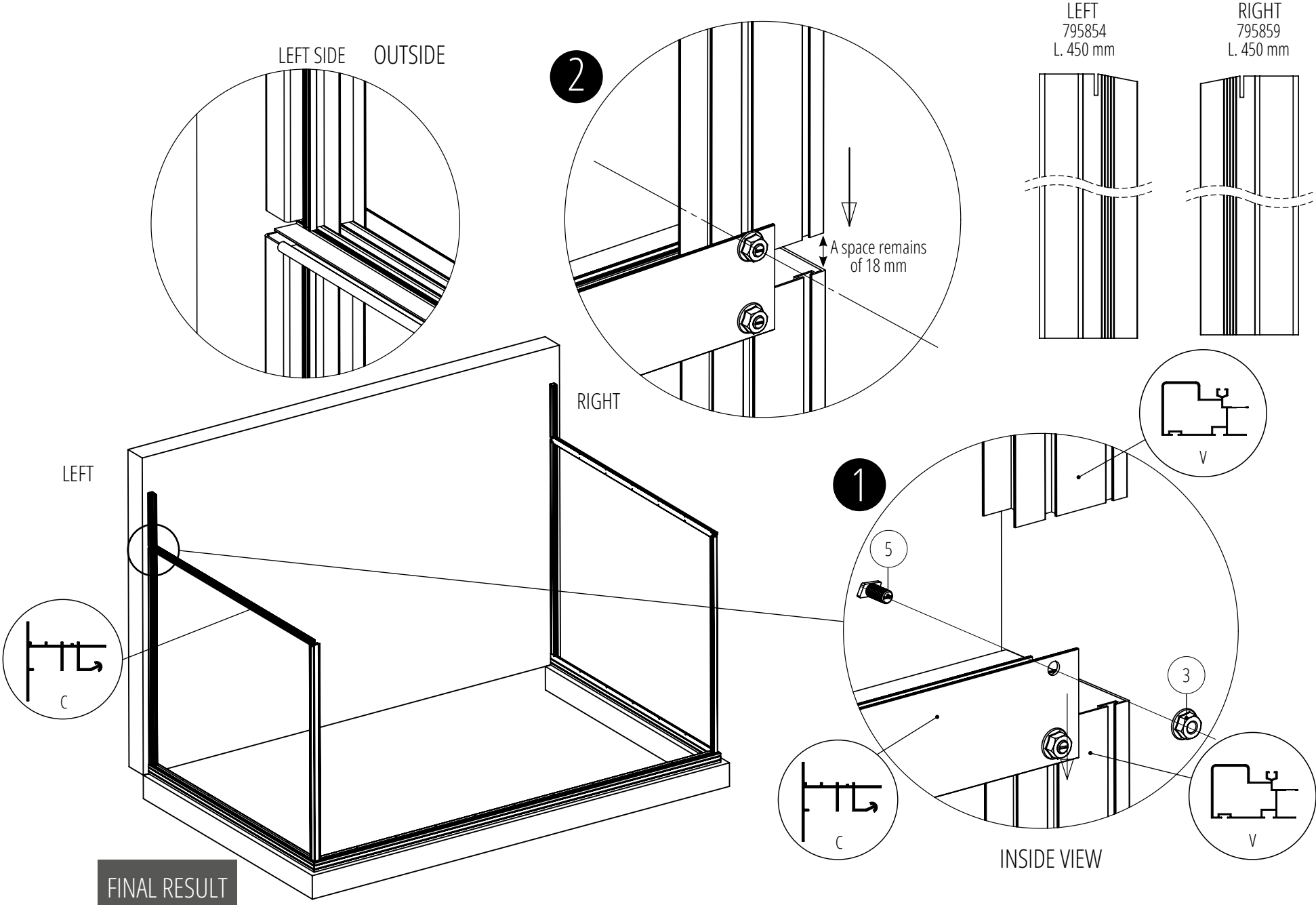


INSTALLATION OF THE CROSSBEAMS

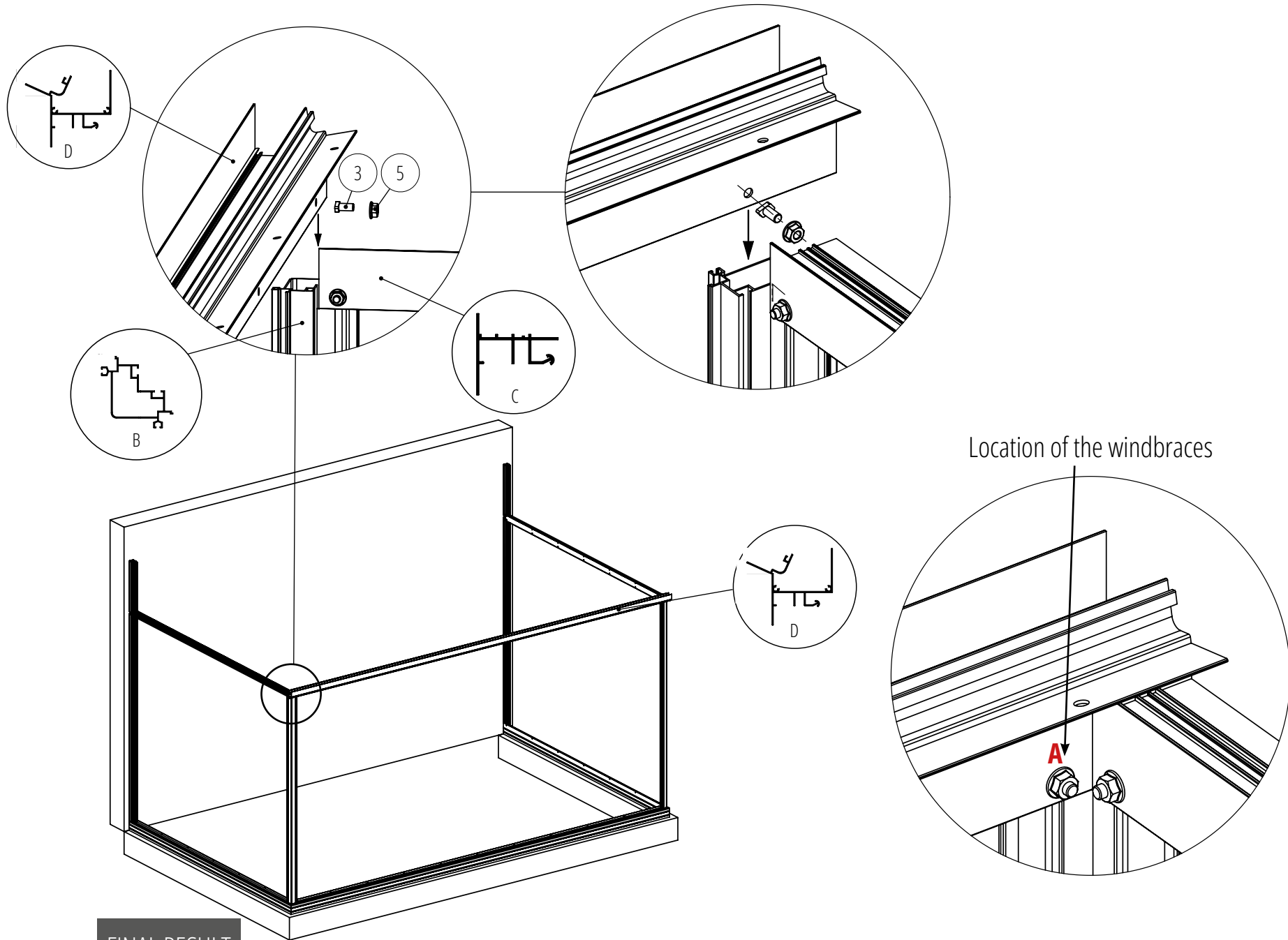


FINAL RESULT

INSTALLATION OF THE UPPER WALL PROFILES



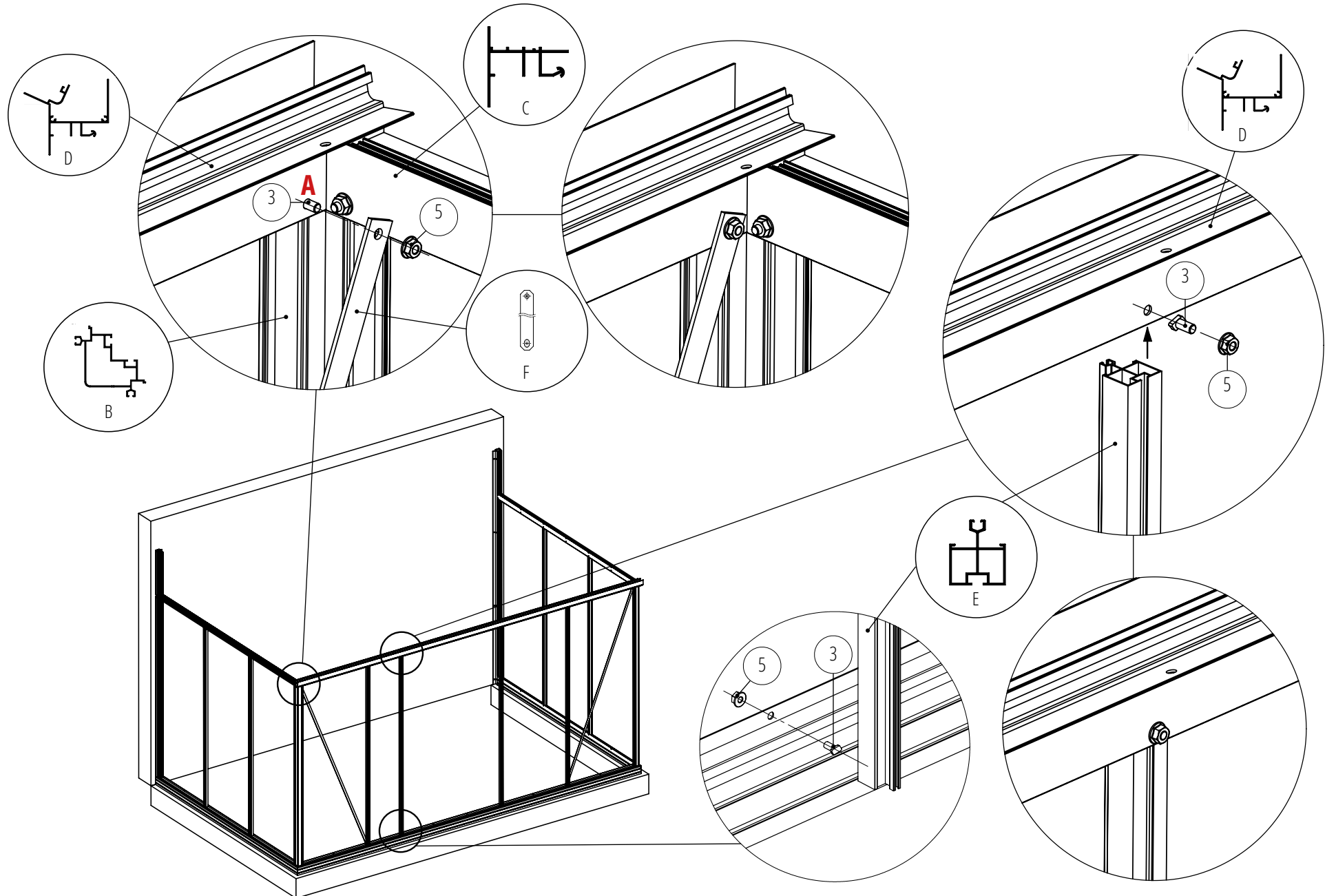
INSTALLATION OF THE RAIN GUTTER PROFILE



Location of the windbraces

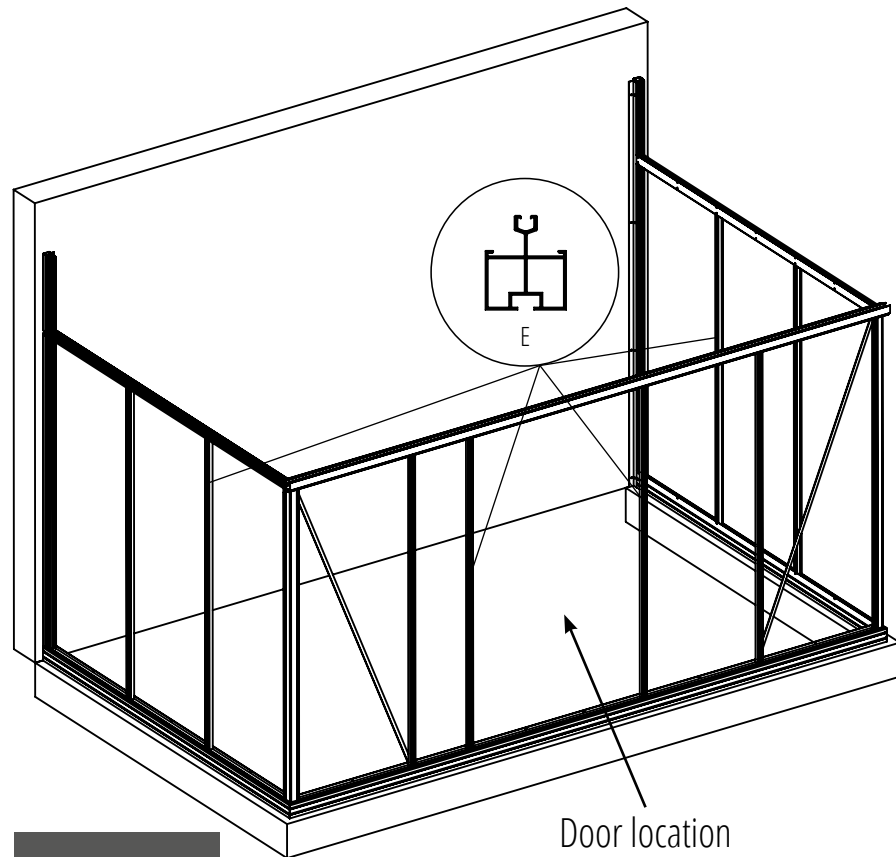
FINAL RESULT

INSTALLATION OF THE WINDBRACES ON THE FRONT SIDE



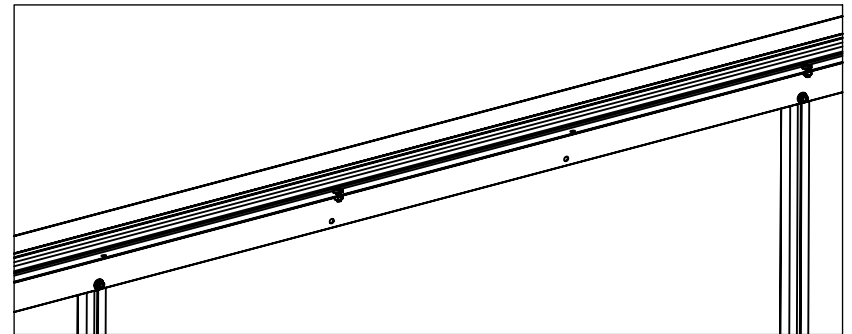
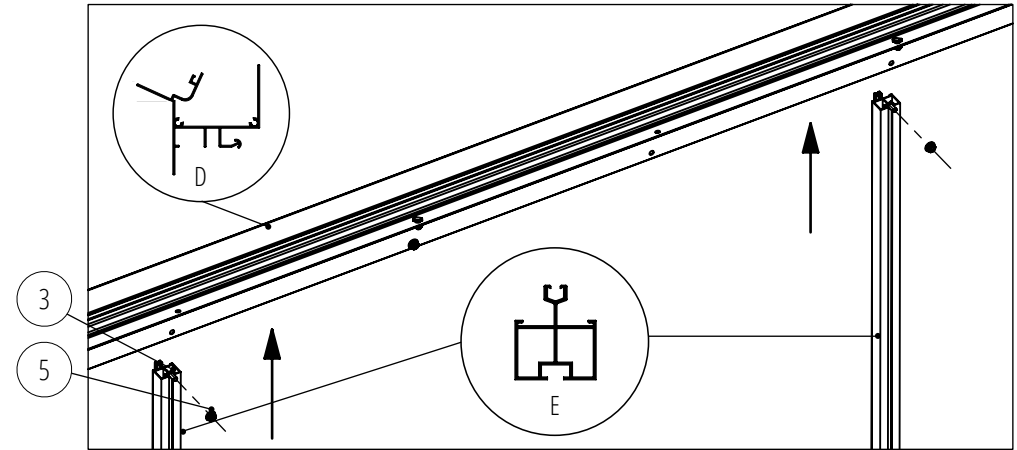
FINAL RESULT

INSTALLATION OF THE WALL PROFILES

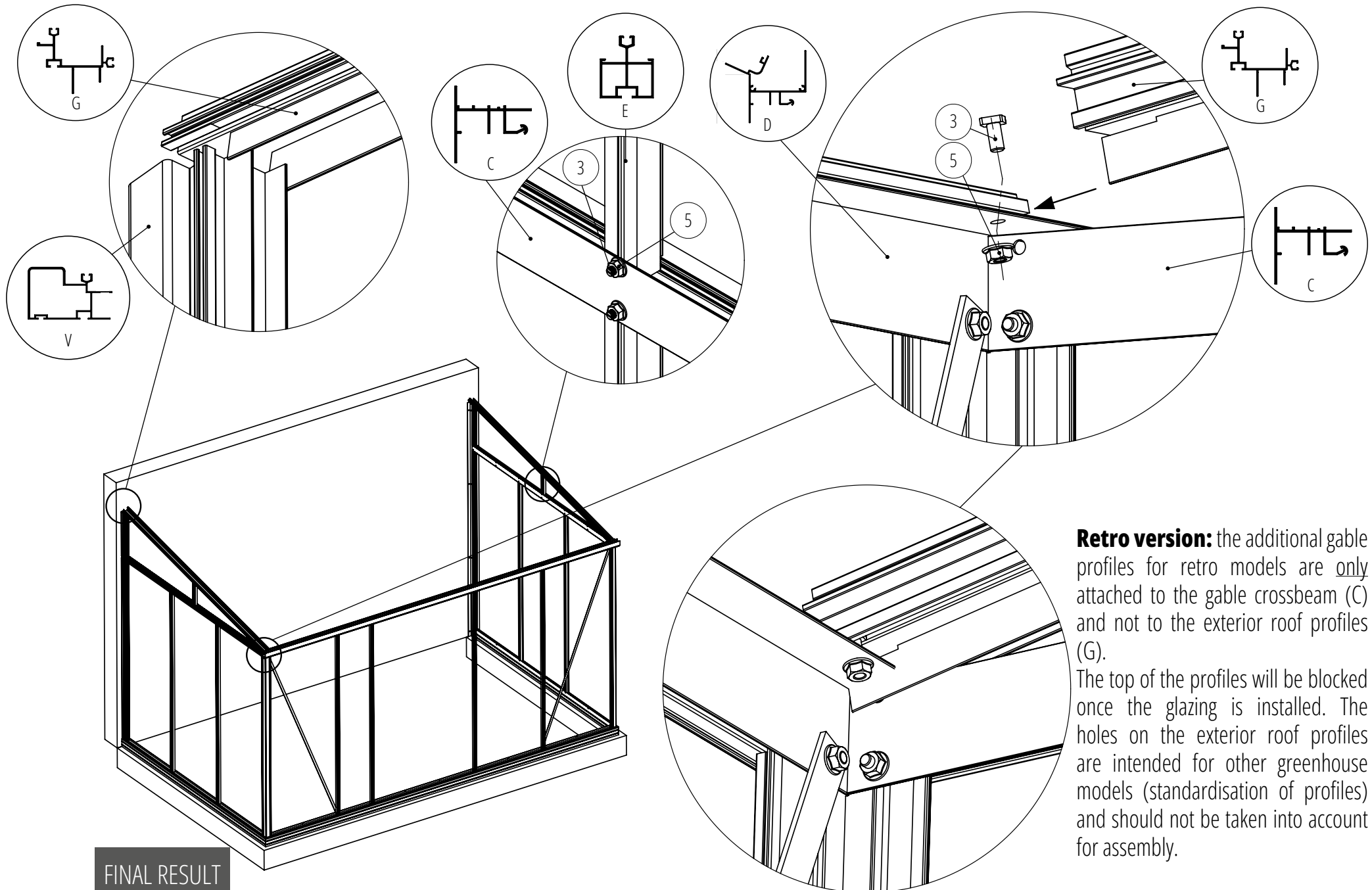


FINAL RESULT

The door can also be positioned on the gable end.



INSTALLATION OF THE EXTERIOR ROOF PROFILES ON THE GUTTER PROFILE



Retro version: the additional gable profiles for retro models are only attached to the gable crossbeam (C) and not to the exterior roof profiles (G).

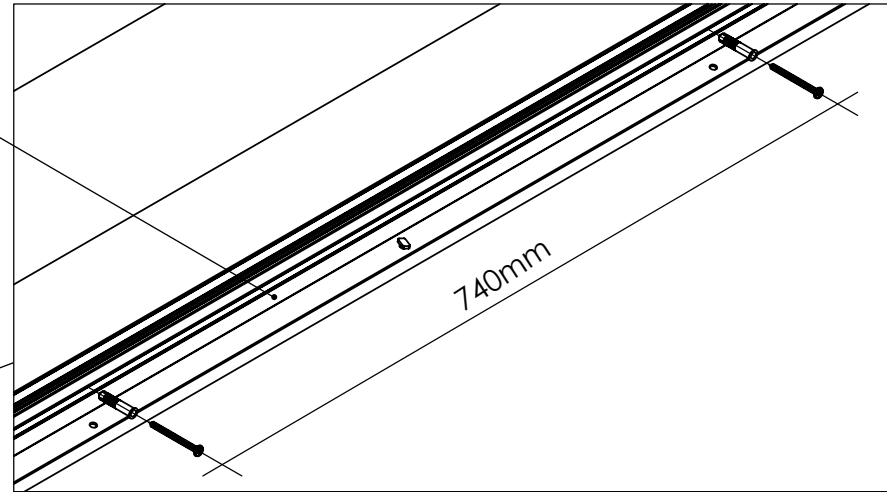
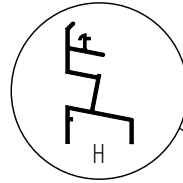
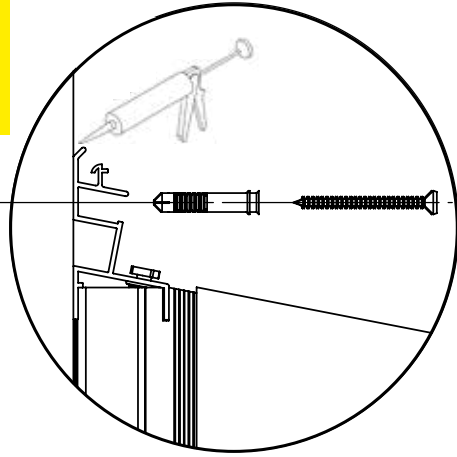
The top of the profiles will be blocked once the glazing is installed. The holes on the exterior roof profiles are intended for other greenhouse models (standardisation of profiles) and should not be taken into account for assembly.

FINAL RESULT

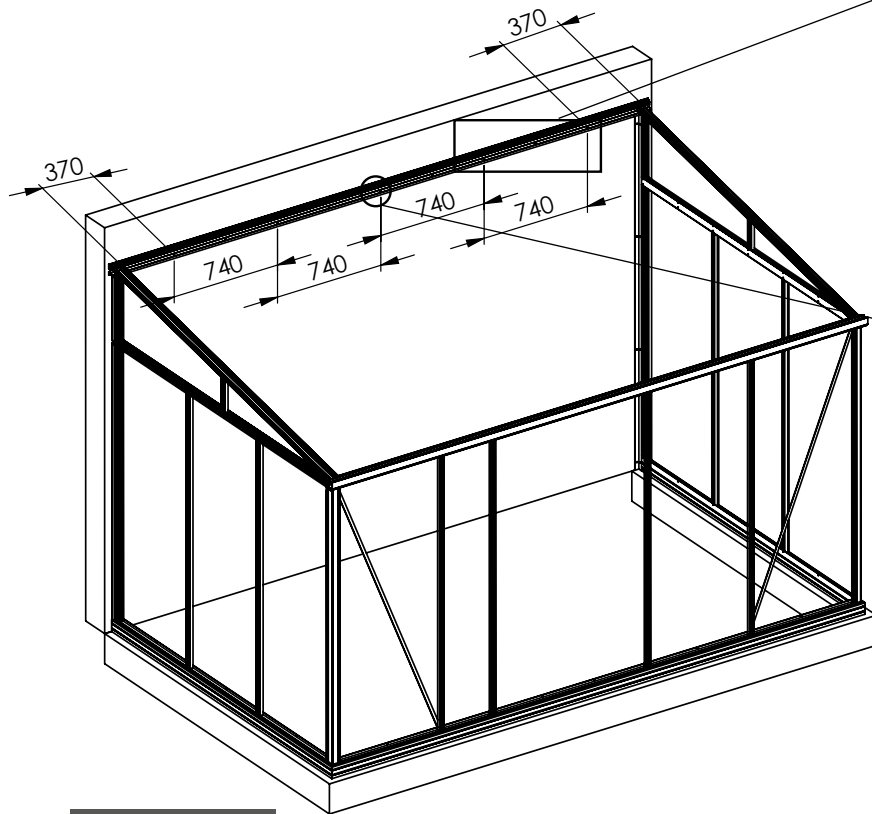
FIXING THE RIDGE ON THE LEAN-TO WALL

Before installing the roof profiles

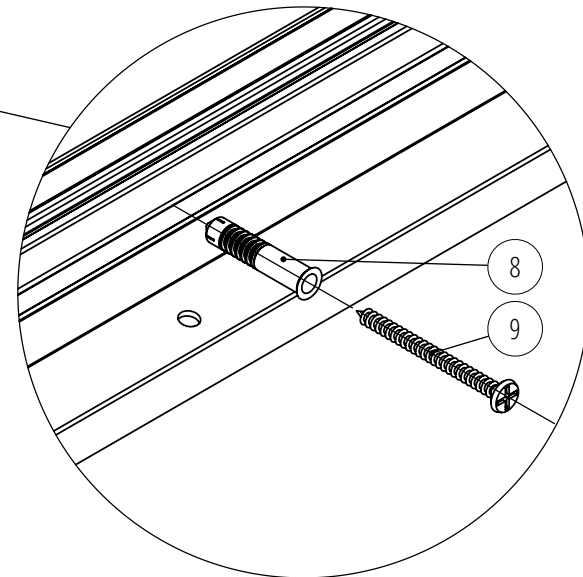
Add silicone on the roof ridge to ensure sealing



Drill into the ridge where the bolts will go.

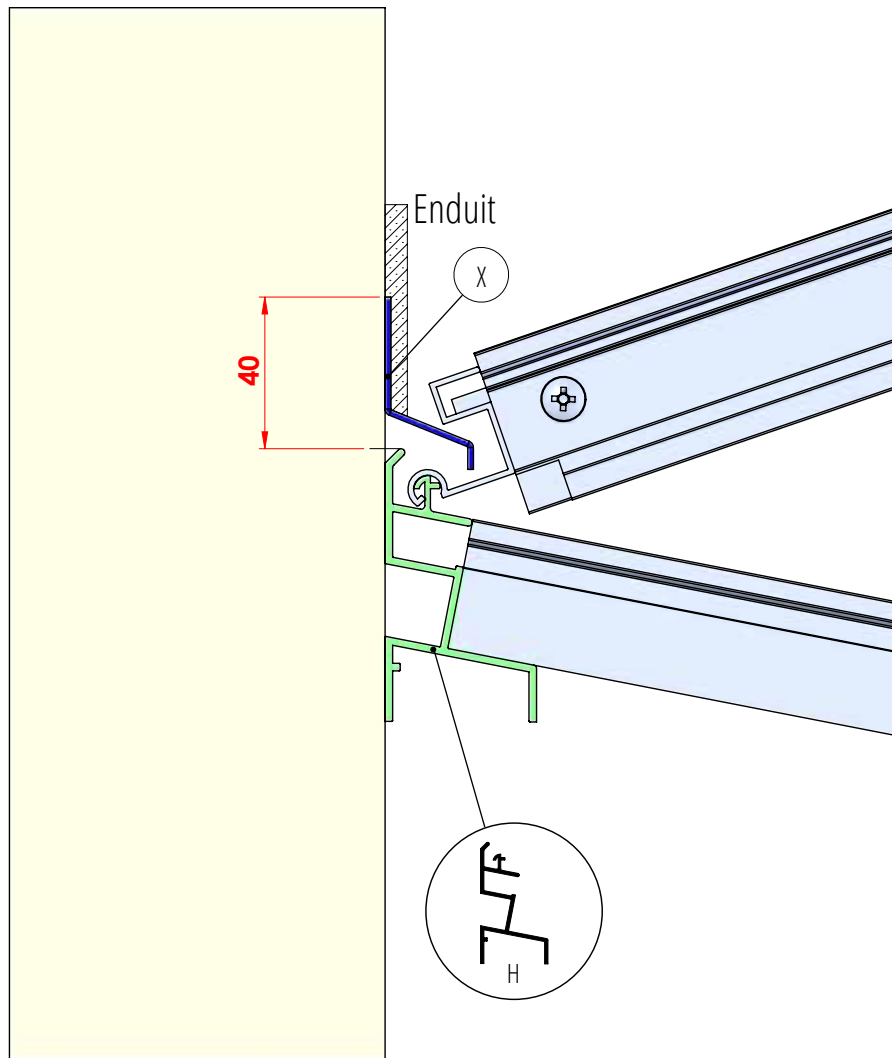


FINAL RESULT



INSTALLING THE ROOF RIDGE COPING

Installation of the ridge coping is optional but strongly recommended for a better seal.



- 1 Mark the location of the coping as shown on the attached drawing (40 mm).
- 2 Lay out the coping and mark the drilling points. If one of the copings is too long for the length of your glasshouse, don't hesitate to cut it. We recommend that you leave the aluminium coping protruding by at least 1 cm on each side of the ridge.
- 3 Slit the coping every 8 to 10 cm using wire cutters.
- 4 Make the holes in the wall.
- 5 Apply silicone to the back of the coping.
- 6 Position and fix the coping to the wall using the dowels (8) and screws (9).

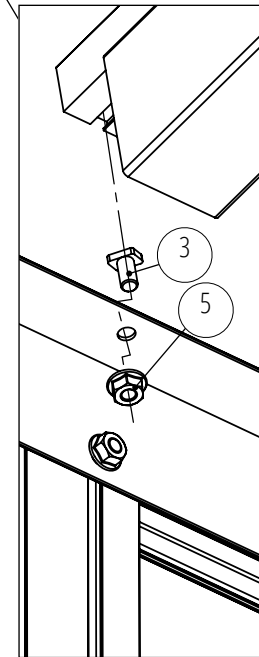
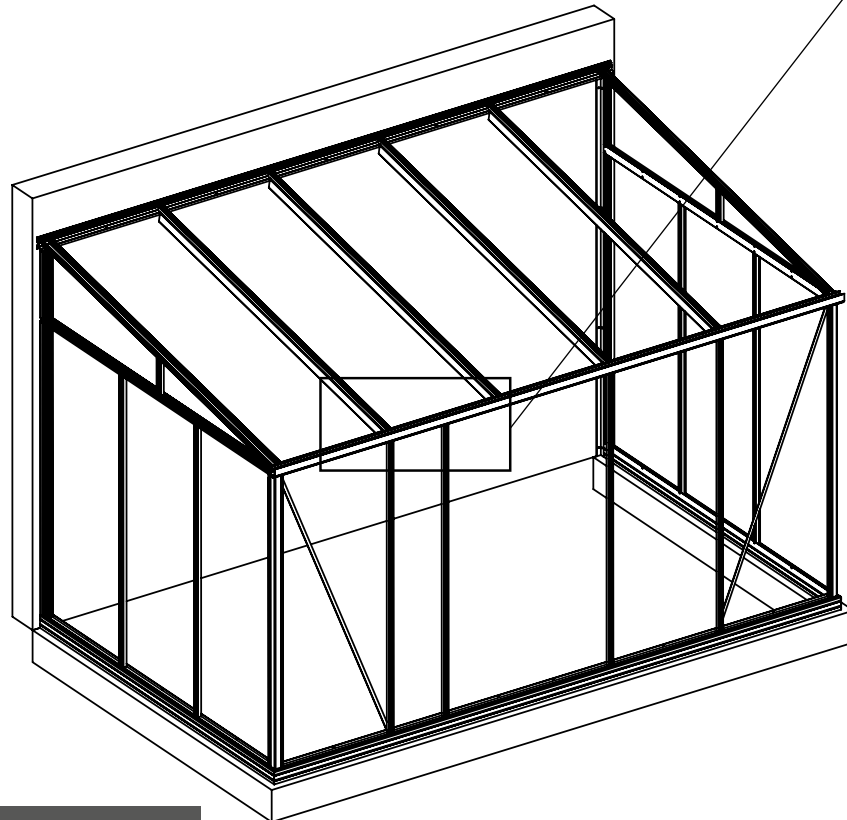
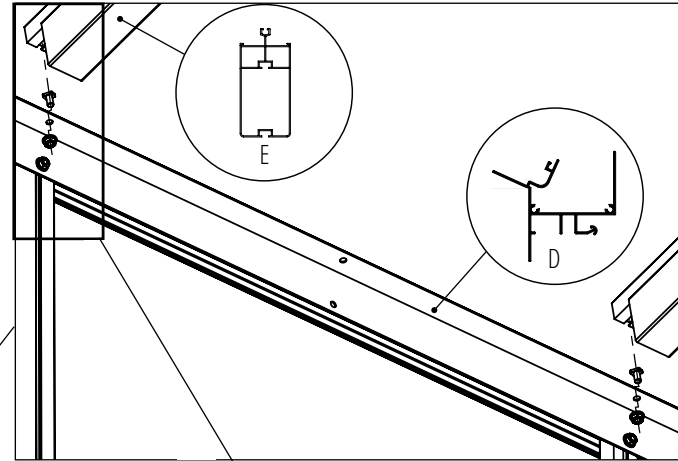
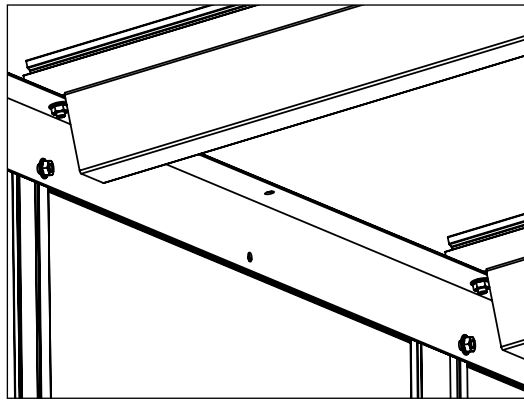


INSTALLING THE ROOF RIDGE COPING

- 7 If you want to reinforce the waterproofing, apply a coating (i.e plaster) to the coping.

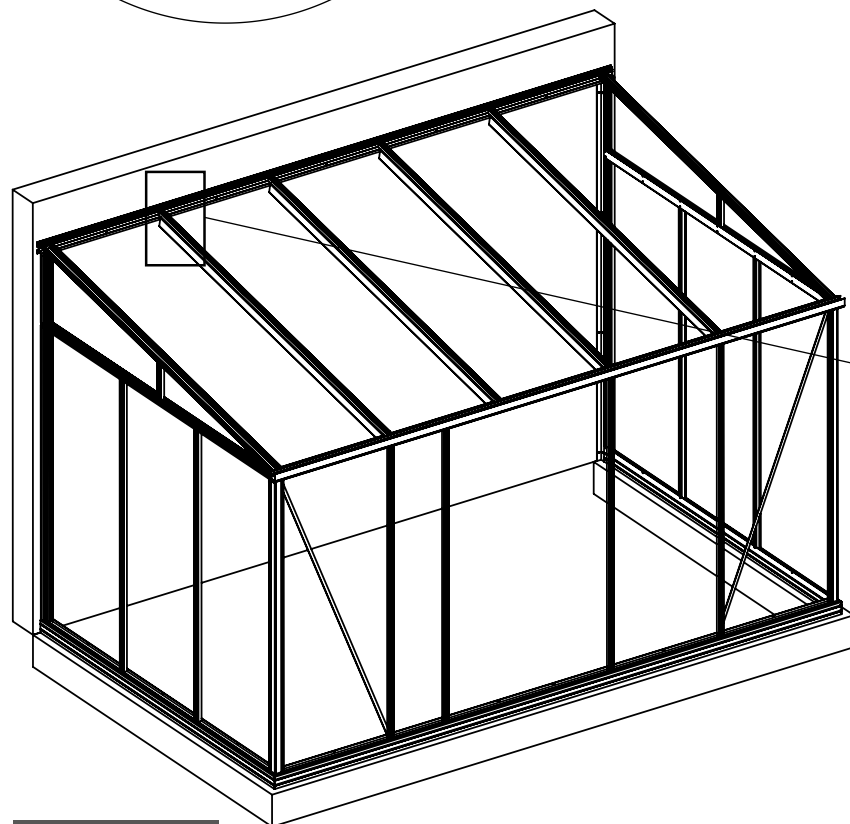
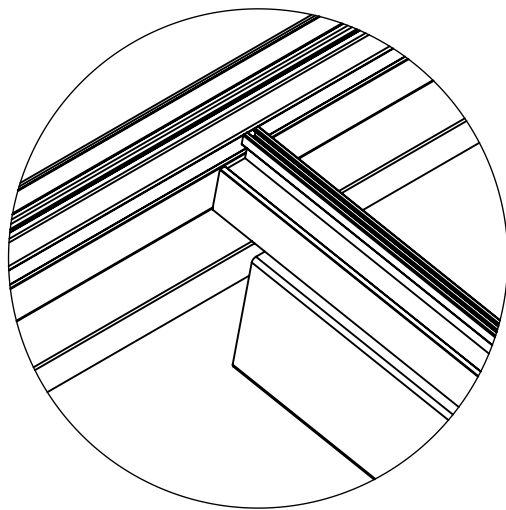


INSTALLATION OF THE ROOF PROFILE TO THE GUTTER

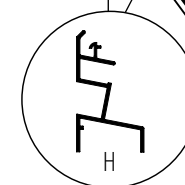
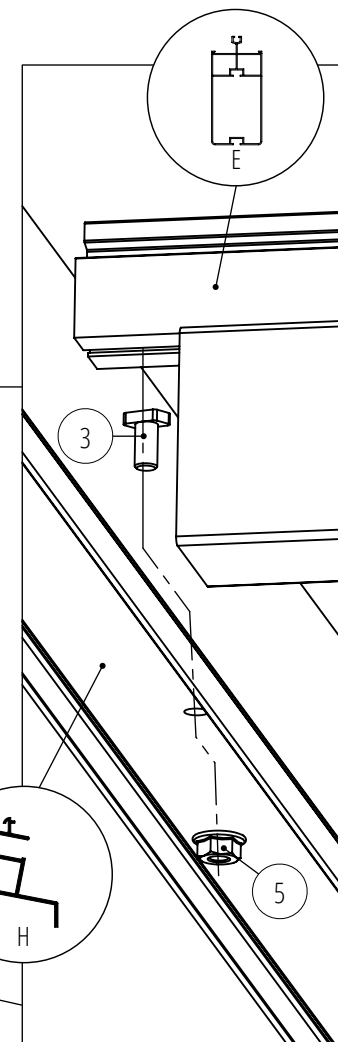
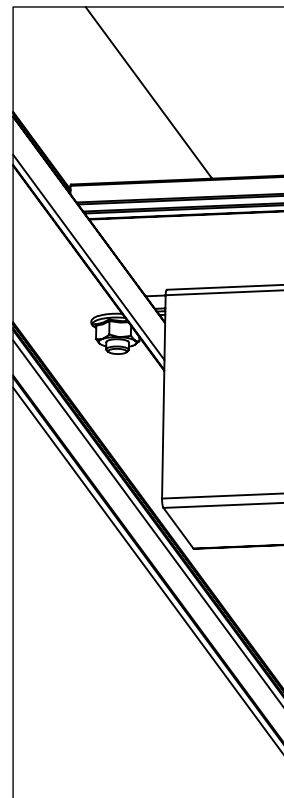


FINAL RESULT

INSTALLATION OF THE ROOF PROFILES TO THE RIDGE

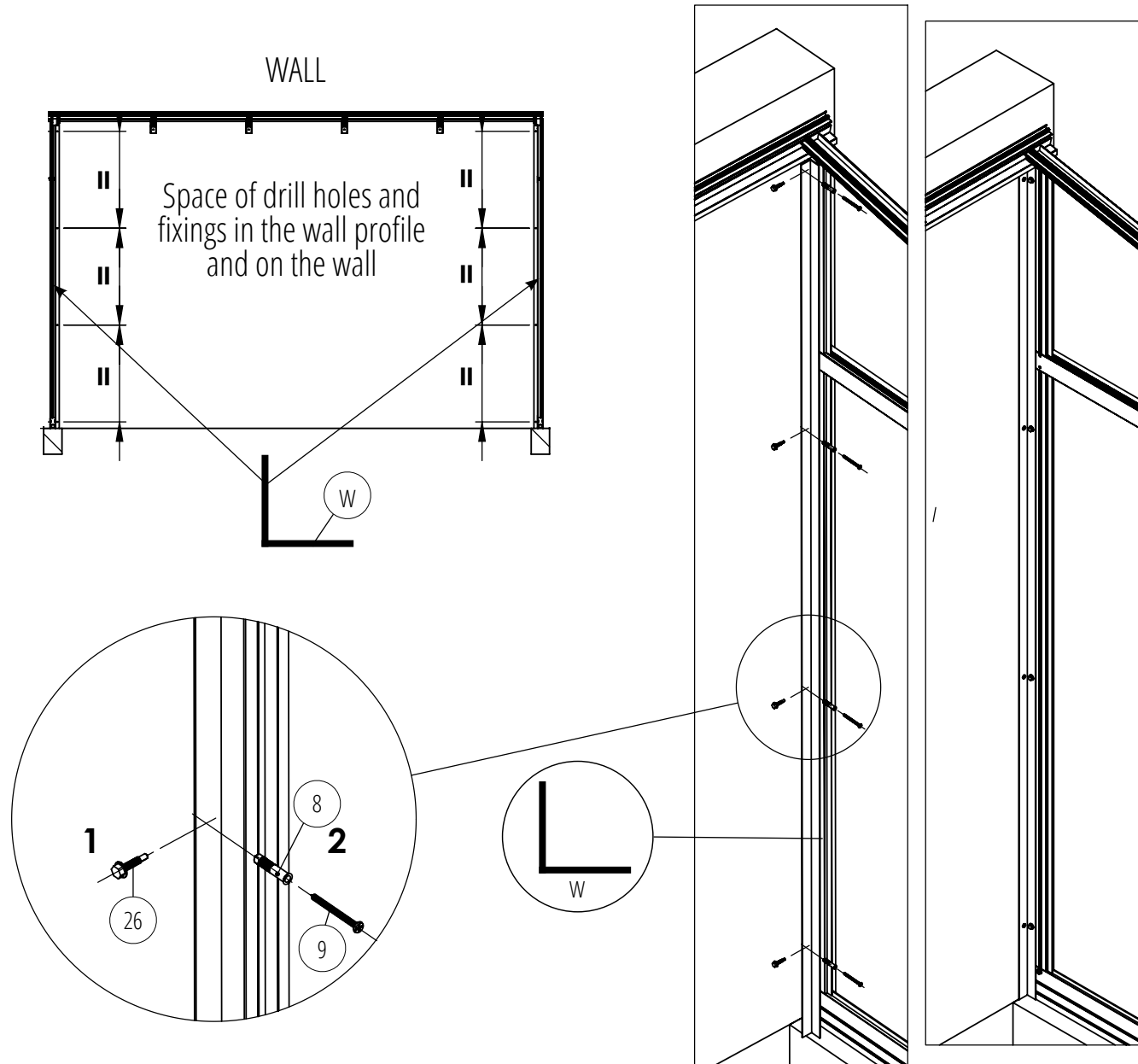


FINAL RESULT

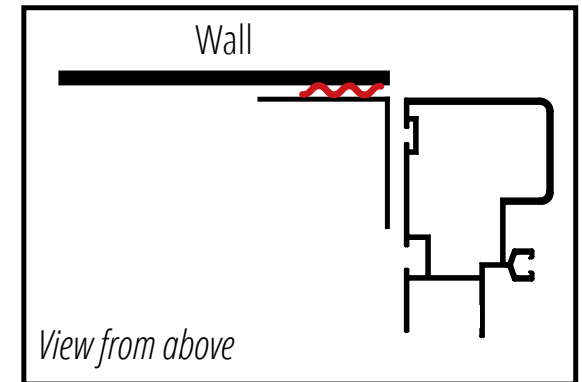


INSTALLATION OF THE WALL BRACKET ON THE INTERIOR OF THE GREENHOUSE

You can then secure your greenhouse completely to the ground.



Apply **silicone** to the part of the wall bracket (W) that will be placed against the wall. Ensure that the silicone is close to its corner (see plan below).

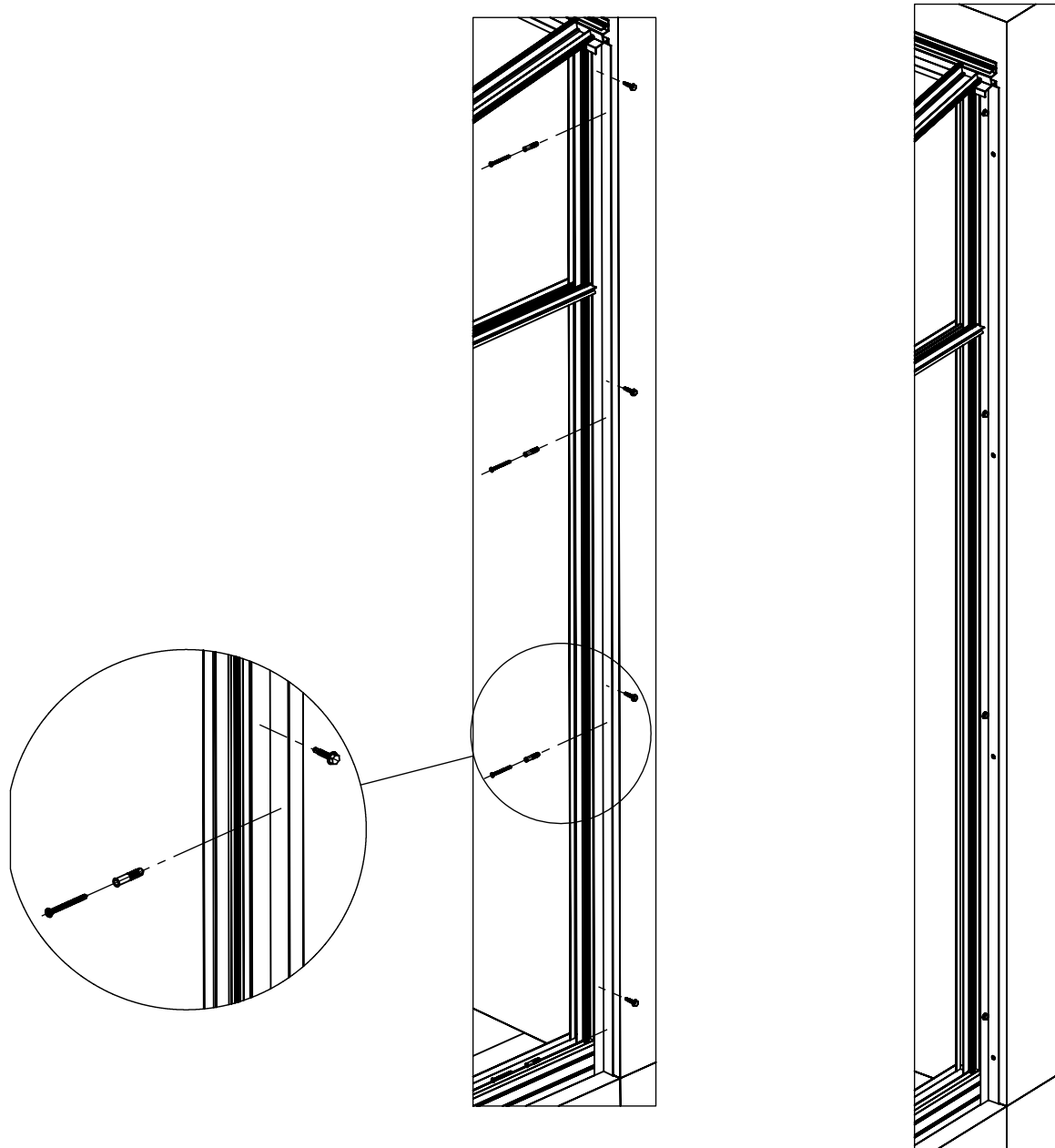


Position the wall bracket (W) in the corner of the greenhouse, against the wall and the wall profile

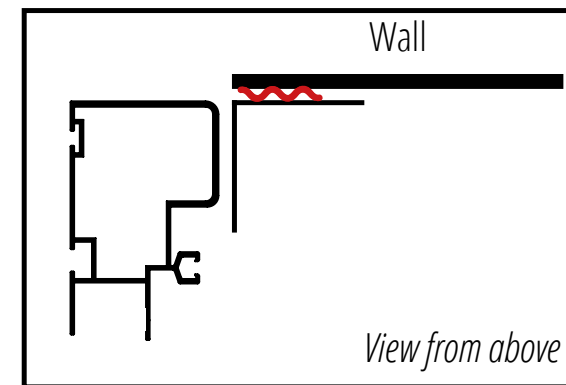
Pre-drill and screw the bracket to the wall using the dowels (8) and screws (9). Then secure the angle bracket to the wall profile using the self-drilling screws (26).

Repeat these steps on the left-hand side.

INSTALLATION OF THE WALL BRACKETS ON THE EXTERIOR OF THE GREENHOUSE



Apply **silicone** to the part of the wall bracket (W) that will be placed against the wall. Ensure that the silicone is close to its corner (see plan below).



Position the wall bracket (W) in the corner of the greenhouse, against the wall and the wall profile

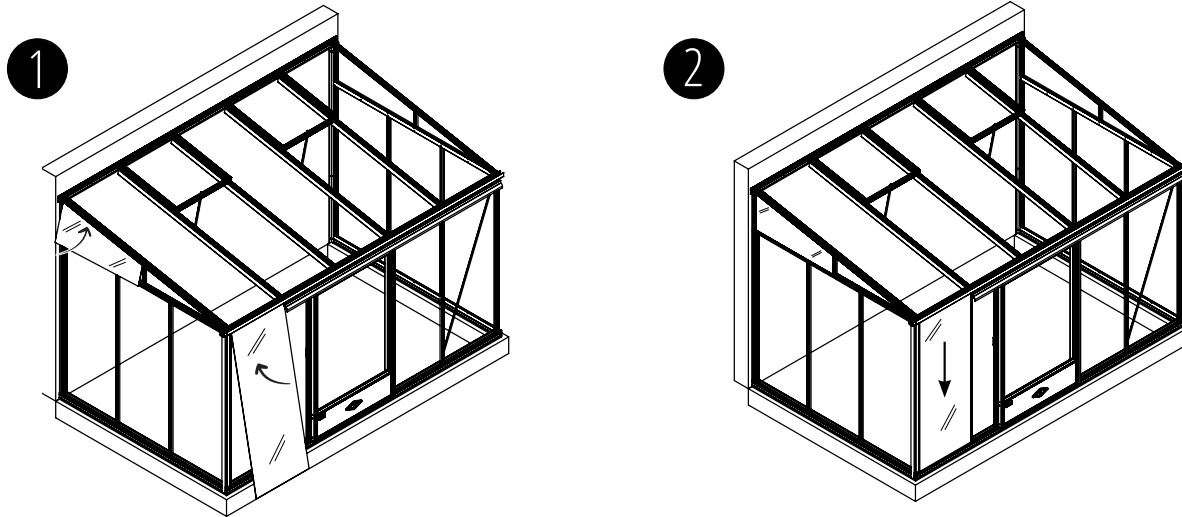
Pre-drill and screw the bracket to the wall using the dowels (8) and screws (9). Then secure the angle bracket to the wall profile using the self-drilling screws (26).

Repeat these steps on the left-hand side.

INFORMATION ON THE INSTALLATION OF THE GLAZING AND SEAL

On the walls:

Place two panes of glass on each side of the profile, then install the seal on the profile starting from the bottom. Heat can cause the seal to shrink by up to 3%. You should therefore allow the seal to protrude by 6 cm at the bottom, resting on the baseframe. The entire profile should be covered with a seal, including the part under the gutter (the seal should be slid underneath).



On the roof:

To start with, position the seal on the roof corner profile (top of gable from the outside). You can position the seal on the top half of the profile from the roof window. The lower part of the profile should be fitted from the outside of the greenhouse. As with the wall seals, leave a surplus protruding into the gutter.



Apply the seal along the entire length of the profiles, including those welcoming windows.

Suggestion to help with assembly:
to make it easier to fit the seal on
the profiles, use the roller supplied.



INSTALLATION OF THE GLAZING

Here you can see the list of the individual glass panes (according to your choice 4 mm transparent tempered glass, 4 mm hammered glass or 8 mm panels). **On the roof, you must position two S-hooks (44) between pane C and pane B, 5 cm from the outer edges.**

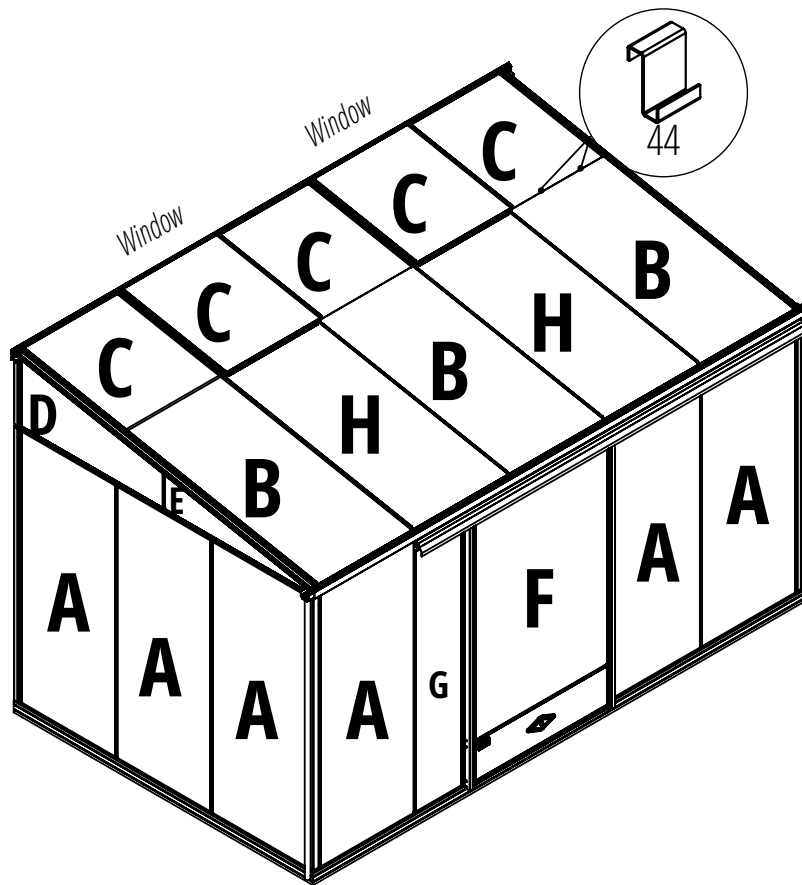
If you have replaced the tempered glass glazing with polycarbonate panels, the installation method remains the same. Please note that for the installation of the roof glazing you need to install the fastener (11) at the bottom end of the panels (see picture bellow).

The open spaces provided by the roof windows allow you to access the profiles at the ridge to install the roof glazing and sealing.

S-hook (44)



Obturator (11)



Marker	Size in mm	Marker	Size in mm
A	Gutter height 1.80 m 1650 x 730 mm	F	Gutter height 1.80 m 1250 x 1028 mm
A	Gutter height 2.00 m 1850 x 730 mm	F	Gutter height 2.00 m 1450 x 1028 mm
B	1523 x 730 mm	G	Gutter height 1.80 m 361 x 1650 mm
C	825 x 730 mm	G	Gutter height 2.00 m 361 x 1850 mm
D	1100 x 231 x 447 mm	H	Under window glass 1507 x 730 mm
E	1115 x 231 x 14 mm	B + C	If polycarbonate roofing 2328 x 730 mm

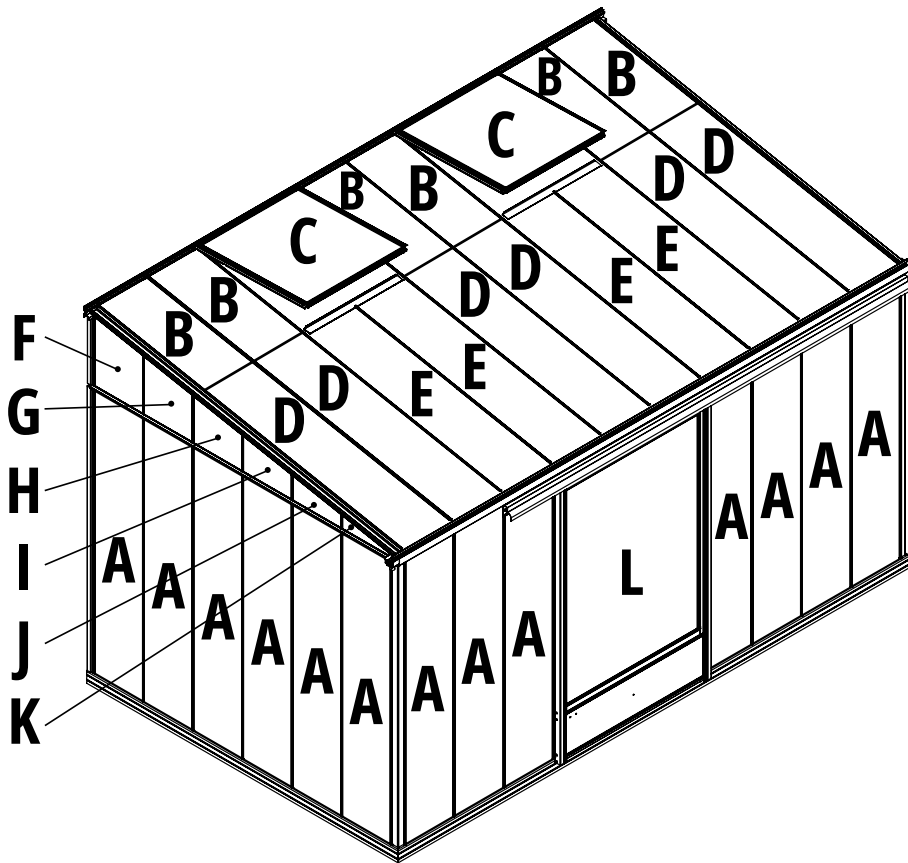
If you have one or more **wall windows** the glass size is 825 x 730 mm, while the under-window glass size is 1010 x 730 mm.
For an gutter height of 1.80 m, the size of the under-window glass is 810 x 730 mm.

To fit the glass, use the suction cup provided. Make sure the suction cup grips the glass properly.

INSTALLATION OF THE GLAZING - RETRO MODELL

Below is a diagram showing the positioning of each glass panel (4 mm transparent or hammered tempered glass, depending on your choice).

The windows will be installed at the very end of the assembly process (they can be installed after all the roof glazing has been fitted). The space freed up by the windows will allow you to access the top of the profiles near the ridge to position your seal and roof glazing.



Marker	Size in mm	Marker	Size in mm
A	<i>Gutter height 1.80 m</i> 1650 x 361 mm	G	373 x 361 x 302 mm
A	<i>Gutter height 2.00 m</i> 1850 x 361 mm	H	302 x 361 x 232 mm
B	825 x 361 mm	I	230 x 361 x 160 mm
C	825 x 730 mm	J	158 x 361 x 88 mm
D	1523 x 361 mm	K	86 x 380 x 32 mm
E	<i>Under window glass</i> 1507 x 361 mm	L	<i>Gutter height 1.80 m</i> 1250 x 1028 mm
F	444 x 361 x 374 mm	L	<i>Gutter height 2.00 m</i> 1450 x 1028 mm

If you have one or more **wall windows** the glass size is 825 x 730 mm, while the under-window glass size is 1010 x 361 mm.
For an gutter height of 1.80 m, the size of the under-window glass is 810 x 361 mm.

To fit the glass, use the suction cup provided. Make sure the suction cup grips the glass properly.

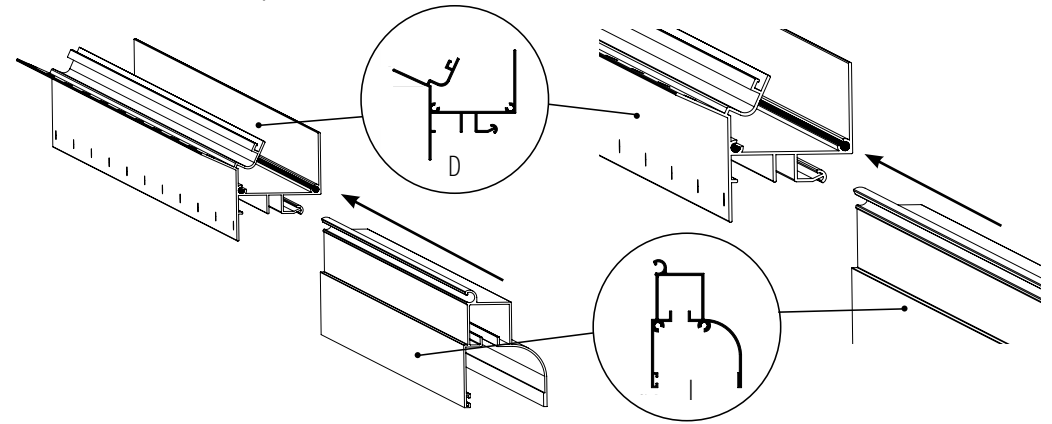
INSTALLATION OF THE UPPER DOOR RAIL

The door can be placed on the gable or long side. According to your choice, fix the upper door rail on the crossbeam on the gable side or on the gutter profile on the long side.

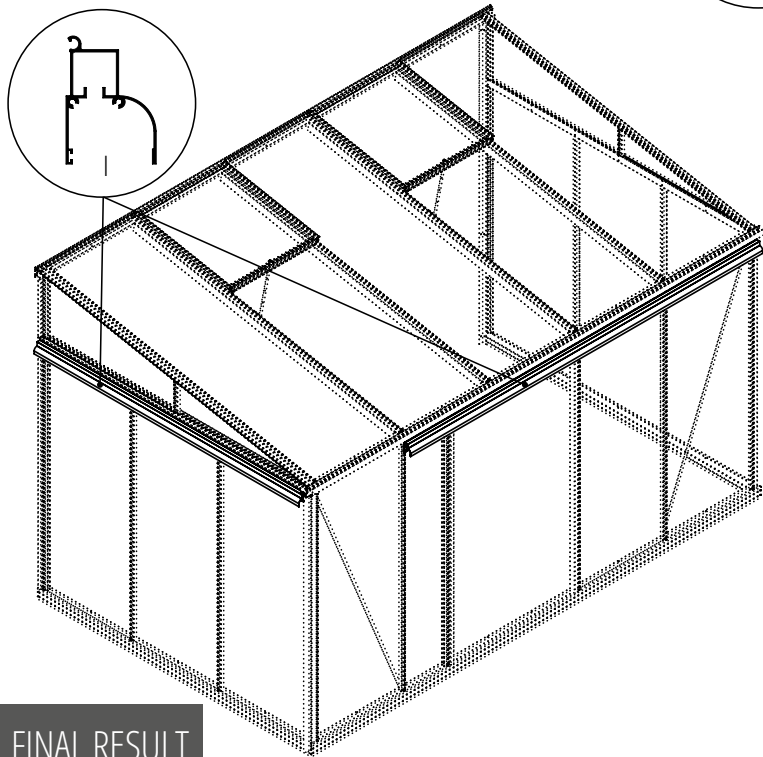
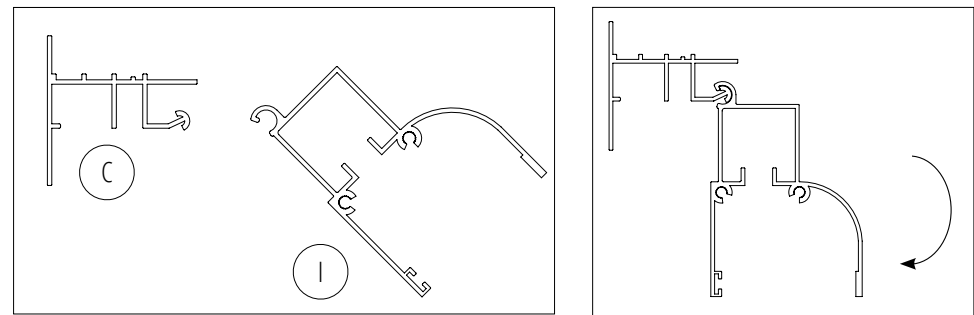
Guide the small sealing brush (28) along the entire length of the upper door rail before you attach the rail to the greenhouse.

Fastening the upper door rail to the gutter profile (long side)

Guide the door rail as presented



Fastening the door rail to the crossbeam (gable side)

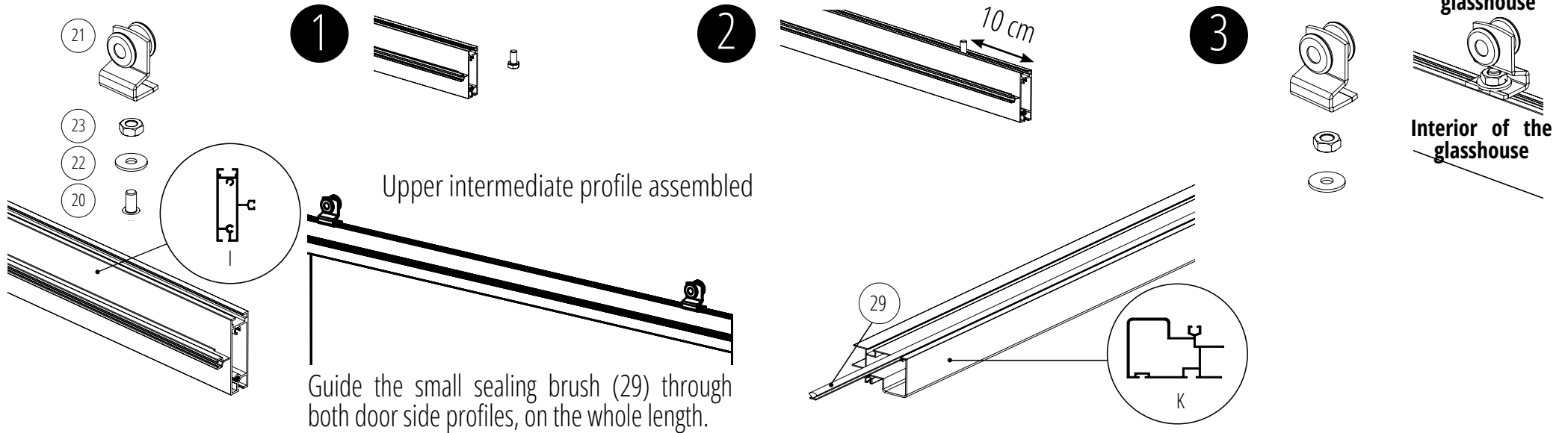


FINAL RESULT

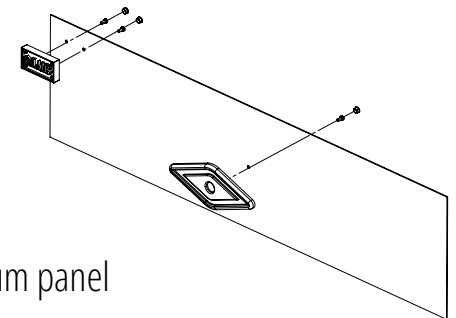
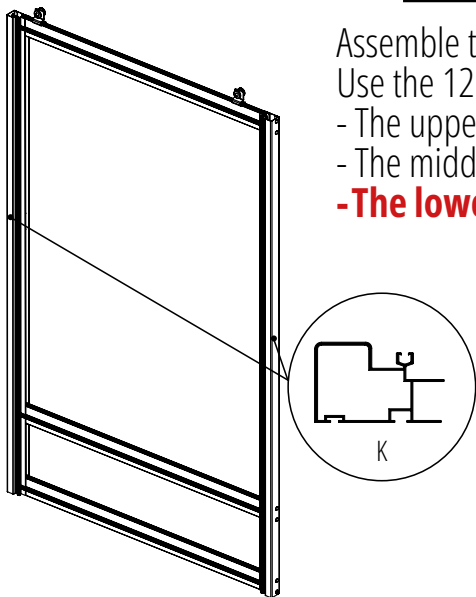
You can install the door(s) anywhere around the greenhouse (make sure there is enough space on the side for the sliding door to open).

ASSEMBLY OF THE DOOR

Mount the door rollers on the upper intermediate door profile before completely assembling the door.
Insert the screw (20) into the upper groove, 10 cm from the end of the intermediate profile. Then add the disk and nut and fasten with the combination wrench. Repeat this on the opposite side.



Assemble the door structure, see illustration on previous page:
Use the 12 screws (12) and plastic cover caps (14) for:
- The upper intermediate profile
- The middle intermediate profile
- **The lower intermediate profile** (refer to the information on the previous page)



Fastening the logo and palmette to the aluminium panel

ASSEMBLY OF THE DOOR

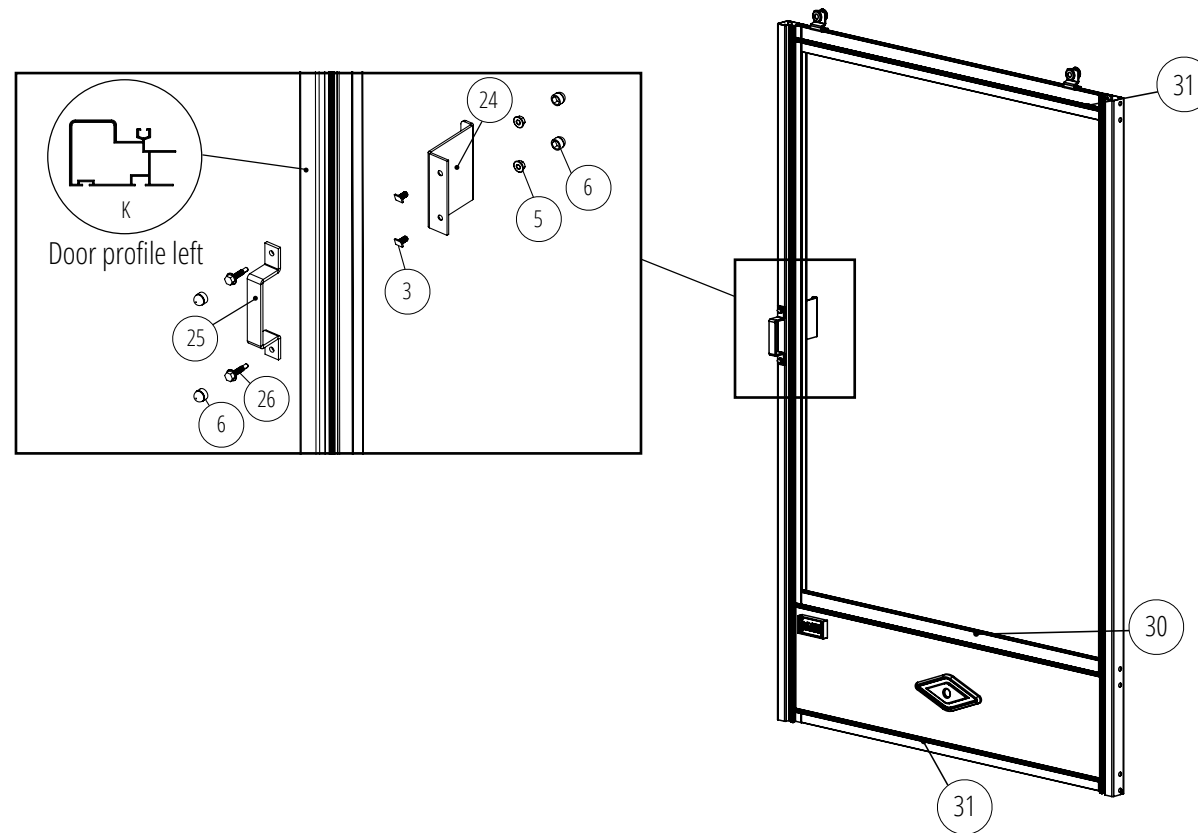


The two door handles are mounted after the door (with the glass pane) has been placed on the greenhouse.

Position the lower door panel at the bottom of the door. To hold it in place on the door, fix the rubber seal (31) on the bottom profile by placing its lip side of on the panel sheet. Allow it to protrude by 1 cm on each side.

Now you can attach the door to the upper door rail (see page 31).

Add the door handles after the door was installed on the greenhouse:

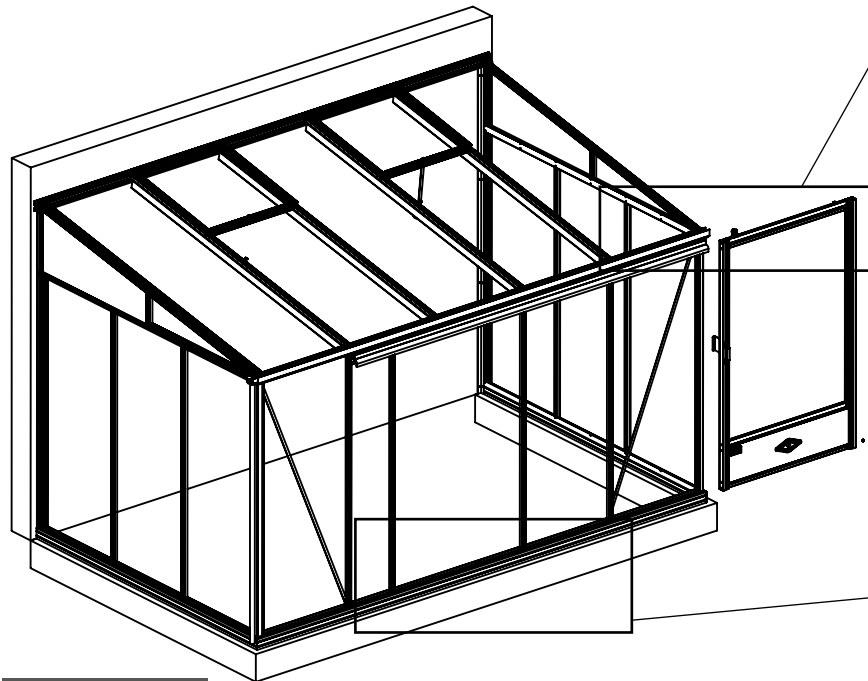
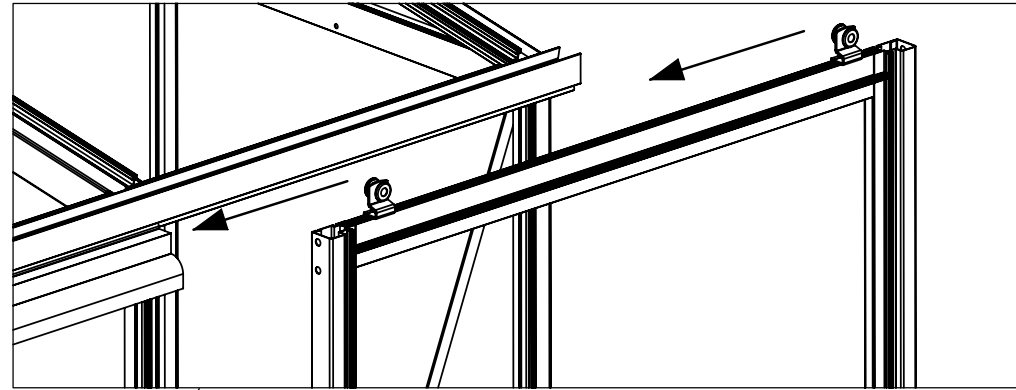


INSTALLATION OF THE DOOR

As soon as all the glass has been attached to the greenhouse, you can put the door in place - without the glass pane.

Once the door is in place, add the door glass: Place the glass pane from the outside (like the rest of the greenhouse glazing).

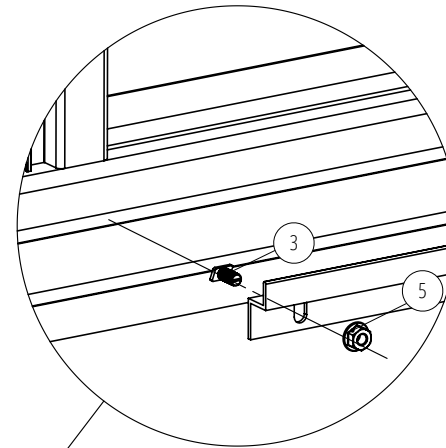
To hold the glass in place, fix the seal (31) on the top intermediate profile with its lip side on the glass, then the seal (30) on the middle intermediate profile. Then attach the gasket to both door side profiles, covering the outer ends of the gasket on the intermediate profiles. Finally, attach the door handles.



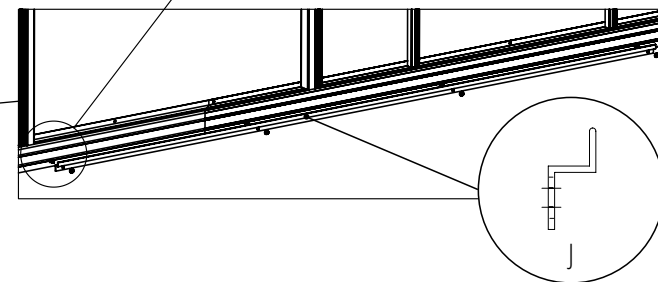
FINAL RESULT

The sliding of the door:

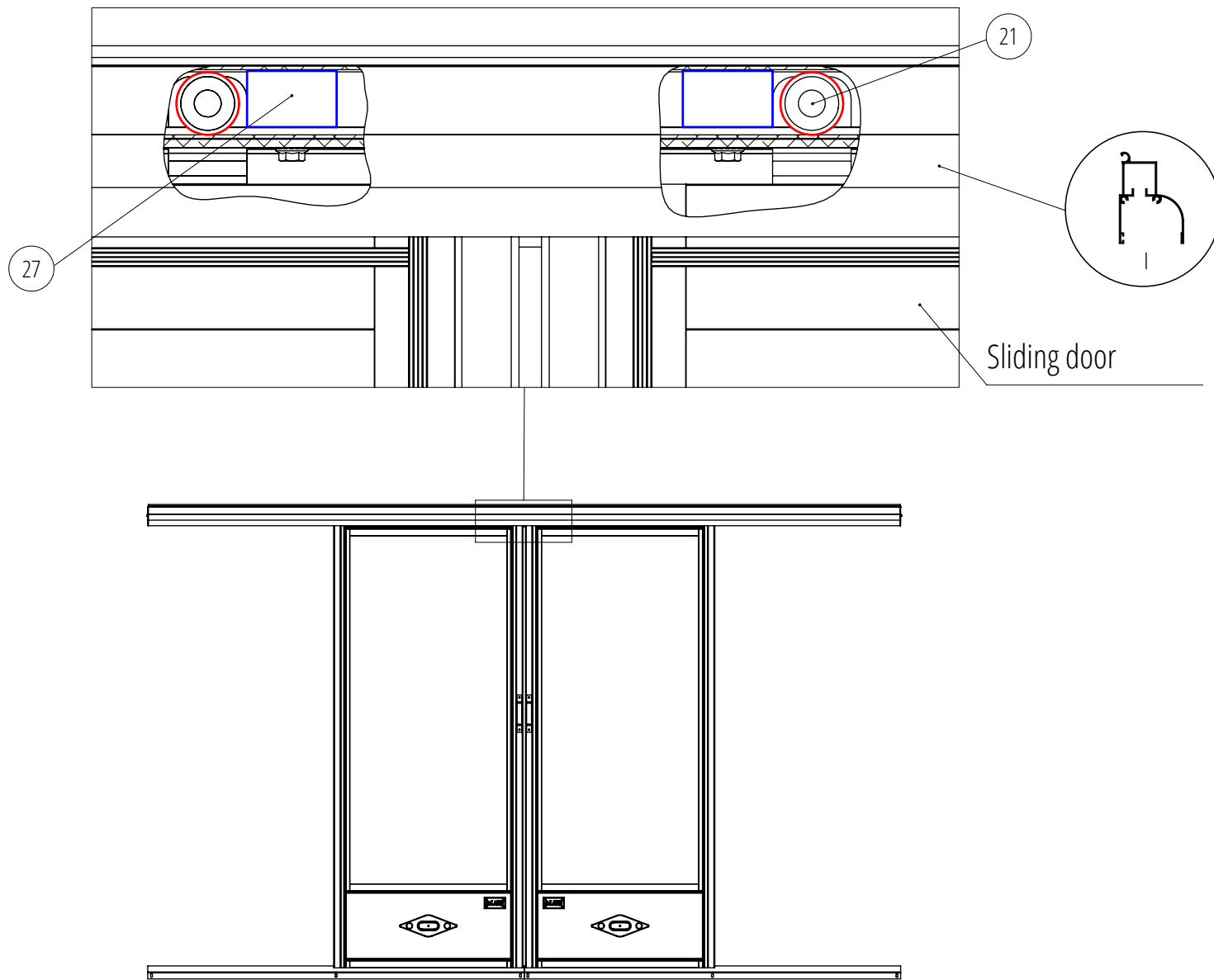
- The lower door rail is equipped with an oblong hole for better installation.
- The rail must be kept clean: remove leaves, soil residues...



The lower door rail is installed at the end. The correct installation insures a good sliding of the door.



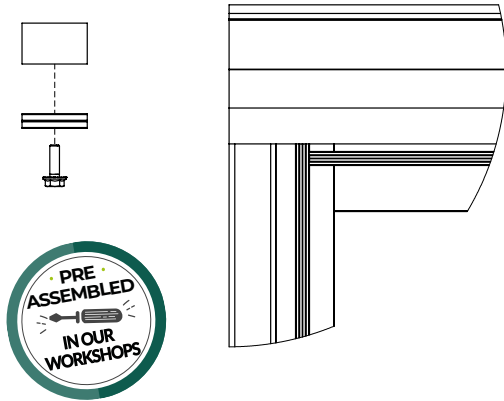
INSTALLATION OF THE DOOR STOPPERS FOR DOUBLE SLIDING DOOR



INSTALLATION OF THE DOOR STOPPERS FOR DOUBLE SLIDING DOOR

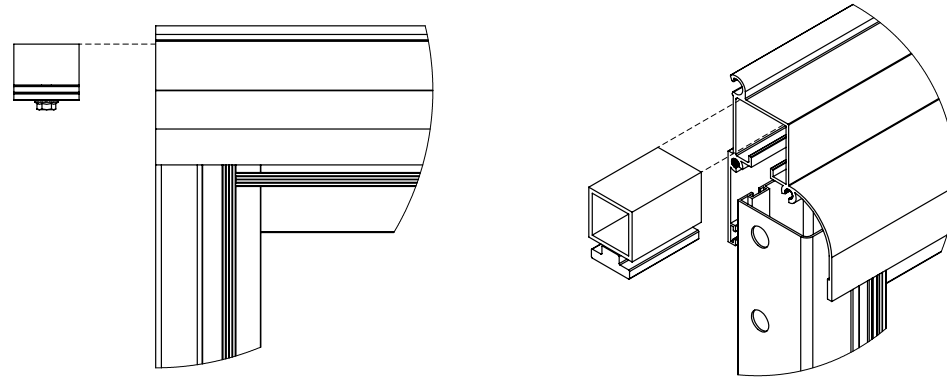
Step 1

Assemble the stopper with the screw (do not tighten)



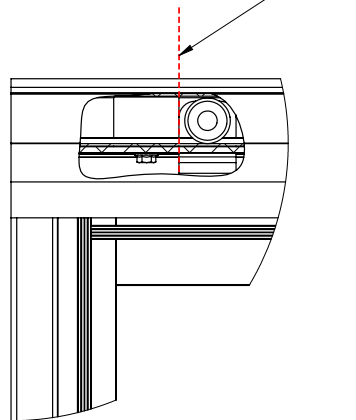
Step 2

Slide the stopper into the upper door rail



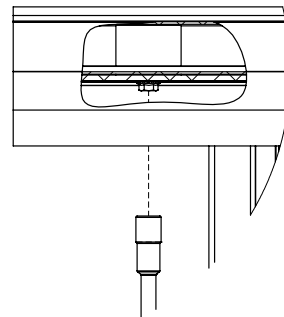
Step 3

Push the stopper until it reaches the door rollers



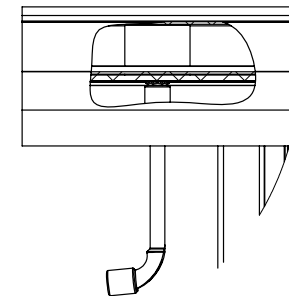
Step 4

Move the door without touching the stopper



Step 5

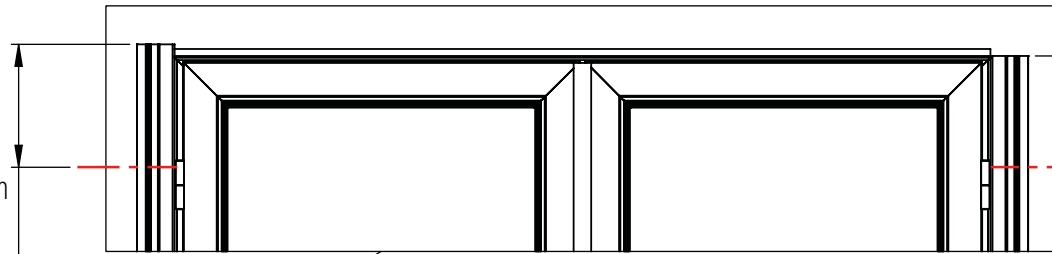
Tighten the door stopper with a 10 mm pipe wrench



INSTALLATION OF THE SWING DOOR DOORFRAME PROFILES (SINGLE OR DOUBLE)

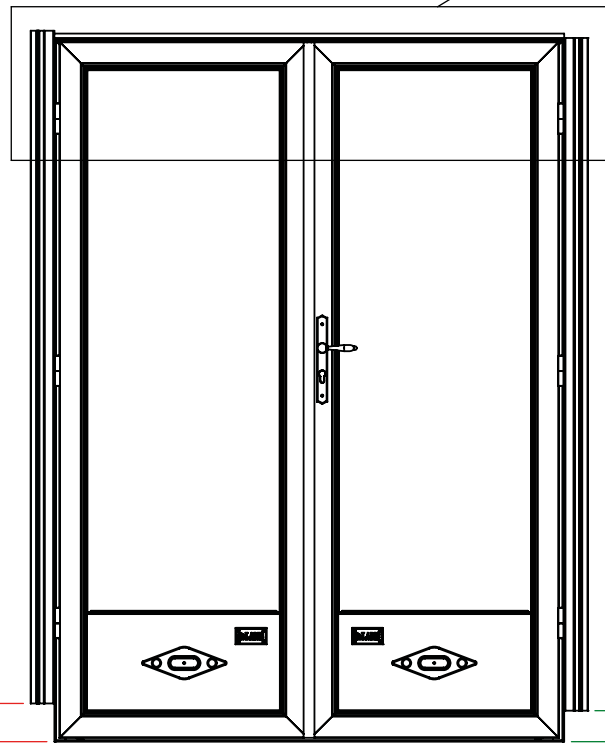
Page for information purposes. The assembly of the doors is carried out in the LAMS workshop.

Wrong assembly
1st fixing hole for the bottom
hinge 210 mm

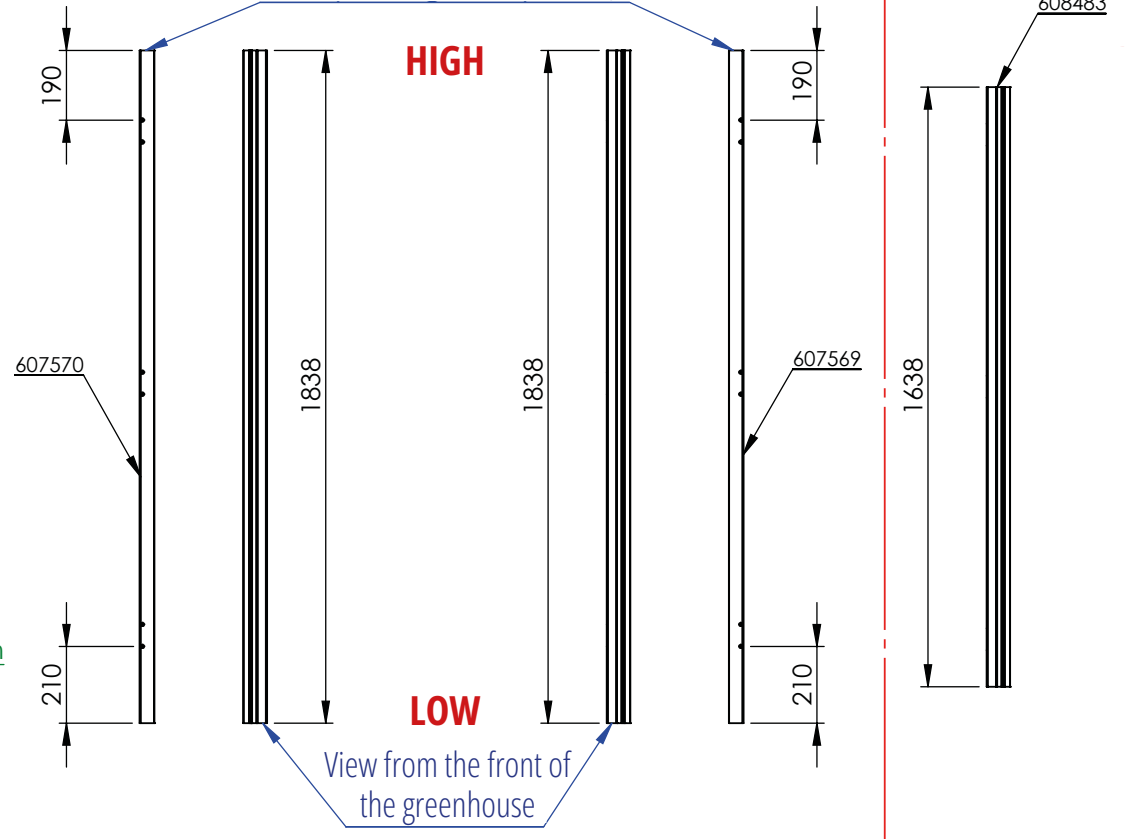


Correct assembly
1st fixing hole for the upper
hinge 190 mm

Right door side profile put left!!!



Profile view inside of the doorway

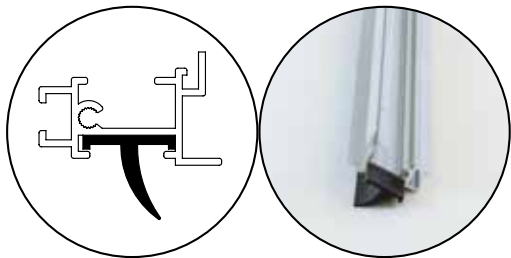


View from the front of
the greenhouse



ASSEMBLY OF THE ROOF WINDOW

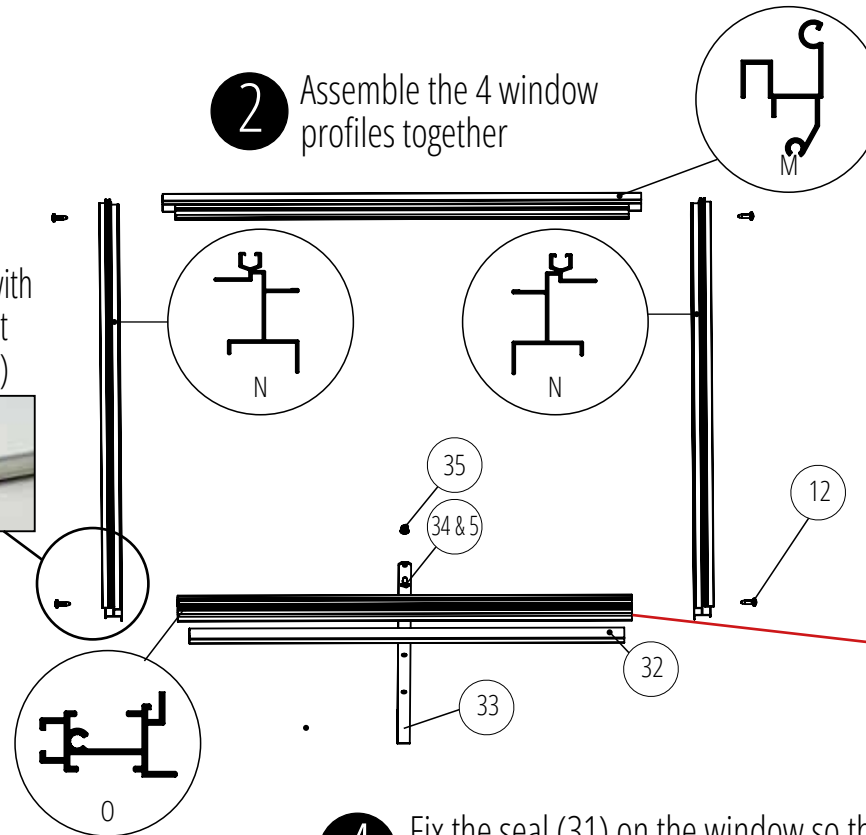
1 Slide the window seal (32) into the lower window profile (0)



Fasten the screws with a screwdriver (not battery-powered)

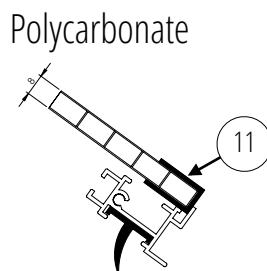
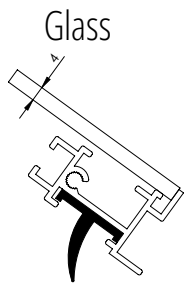


2 Assemble the 4 window profiles together

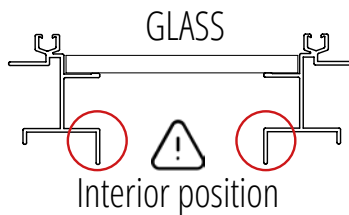


Insert the M6 x 40 screw (34) into the profile (0)

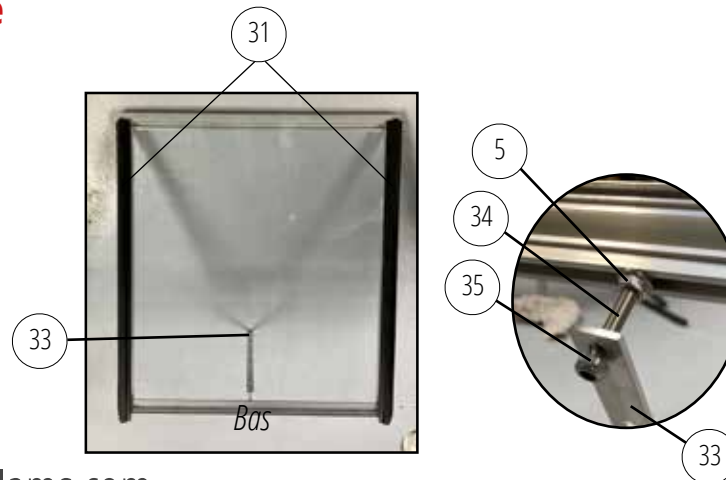
3 Put the glass on the window frame



Positioning of the two side profiles



4 Fix the seal (31) on the window so that the side with the lip rests on the glass.



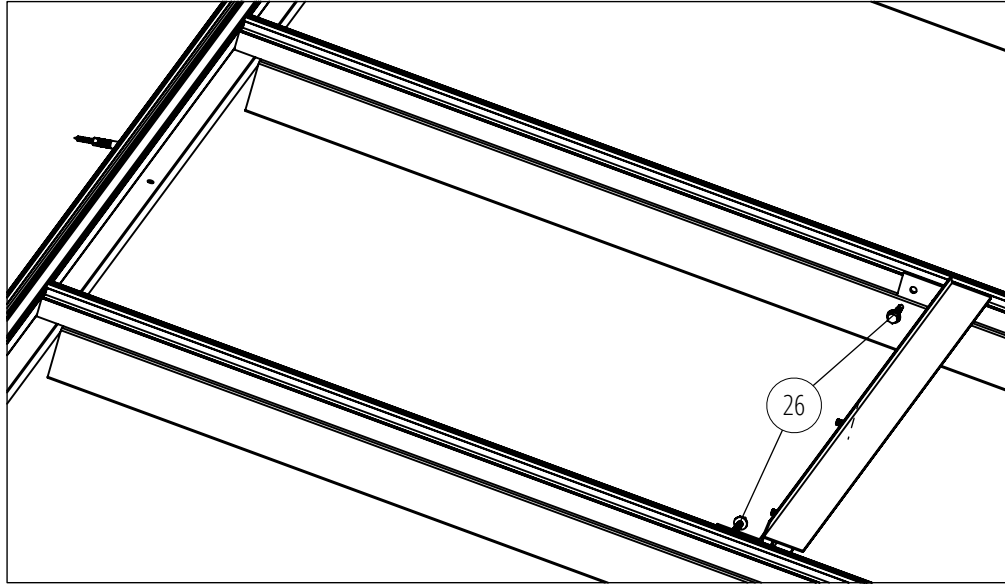
Centre the M6x40 screw (34) on the profile (0) and secure it with a nut (5).

Insert the pull tab and position the nut (35).

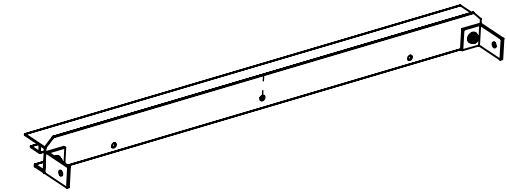
If you have 8 mm panels, add the obturator (66) at the bottom end of the panel.

INSTALLATION OF THE ROOF WINDOW STOPPER PROFILE

If you have a retro greenhouse, please refer to the following page.

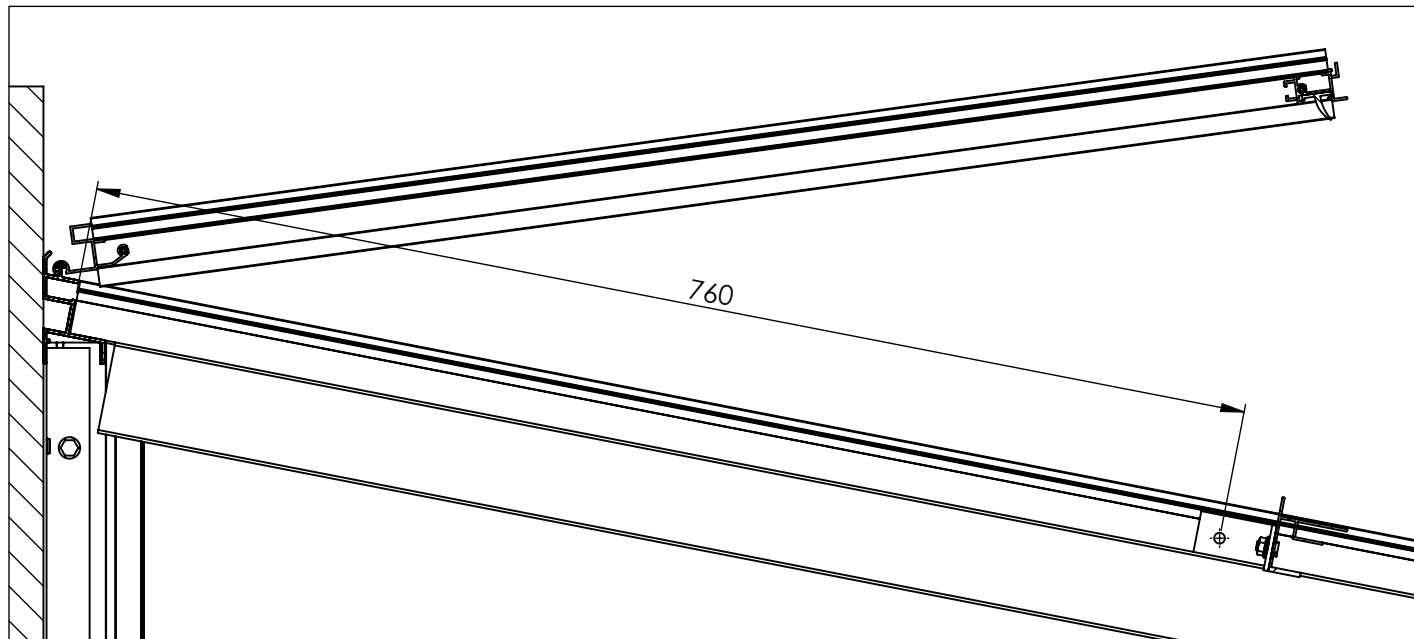


Window stopper profile



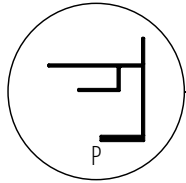
The roof window is secured using self-drilling screws (26).

To make assembly easier, you can drill a 3 mm diameter hole 760 mm from the top of the roof profile.

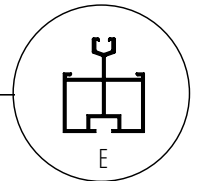
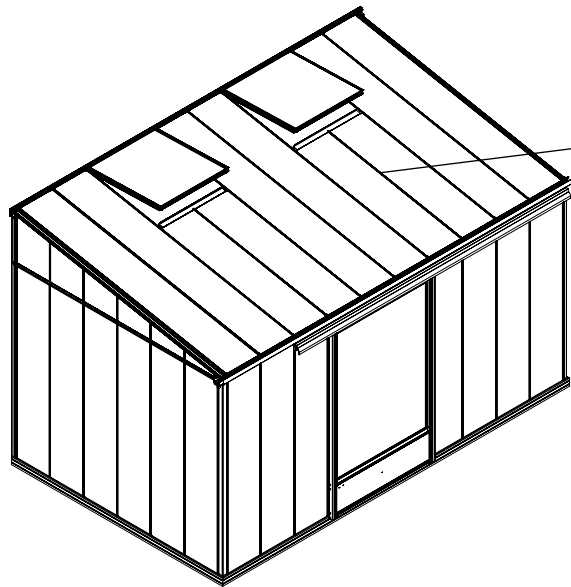
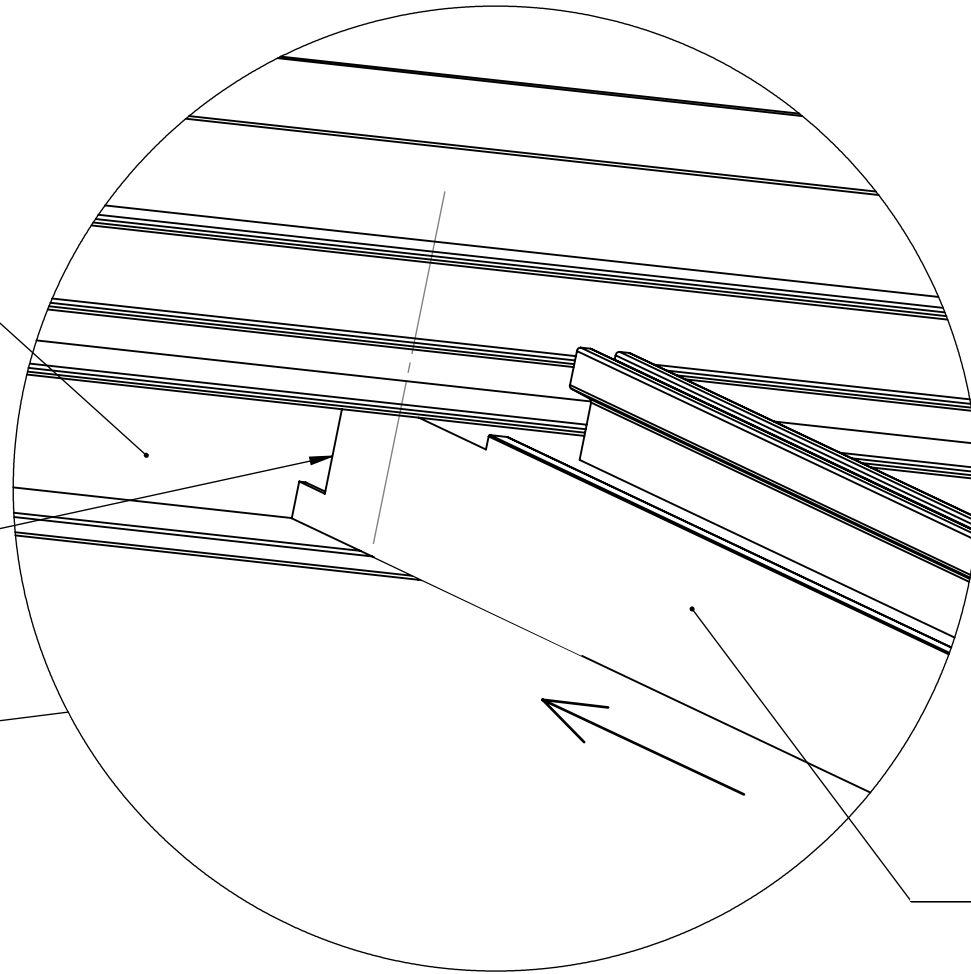


INSTALLATION OF THE UNDER-WINDOW PROFILE - RETRO VERSION

Profile to be inserted into the window stopper profile



Slide the under window profile into the window stopper profile



L. 1514 mm

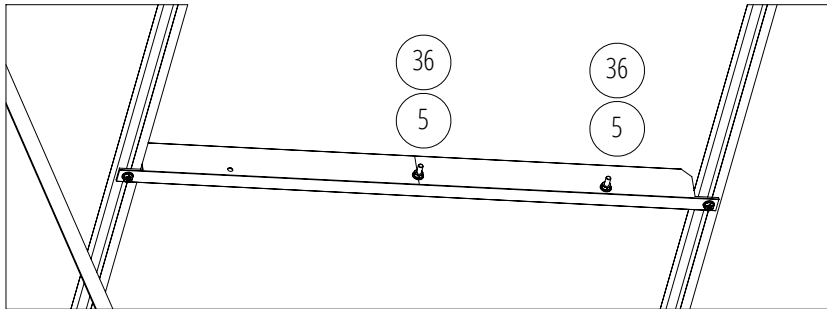
INSTALLATION OF THE ROOF WINDOW

Assemble the window completely (with glass pane) as indicated on the previous page before installing the window on the roof.

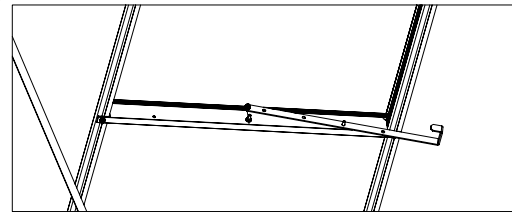
1 Installation of the window stopper profile :

Fasten the hammer-head screw (36) and nut (5) to the window stop profile by standing under the greenhouse.

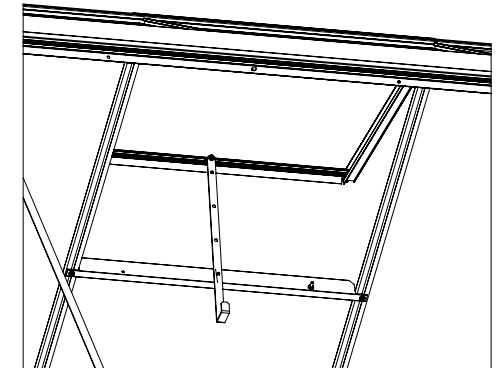
To hold the manual window opener horizontally or vertically, fix a screw (36) in the middle hole and in one of the side holes, which is held by a nut (5).



Manual window opener closed



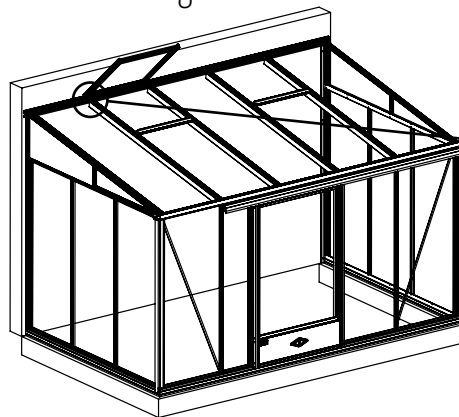
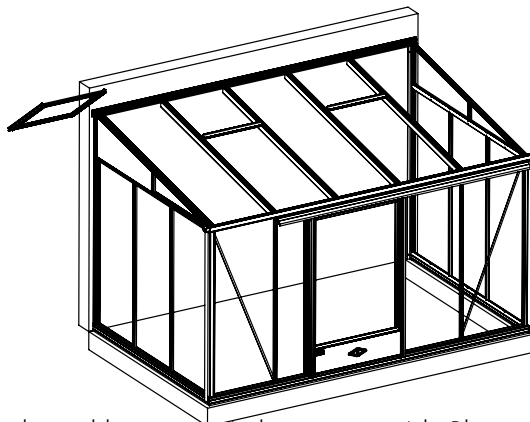
Manual window opener open



In case of strong wind, the manual window opener can be lifted and open (possibly even fall out of the ridge) even though it is in the closed position. To avoid this we recommend to block the manual window opener with the nut (5) and the screw (36).

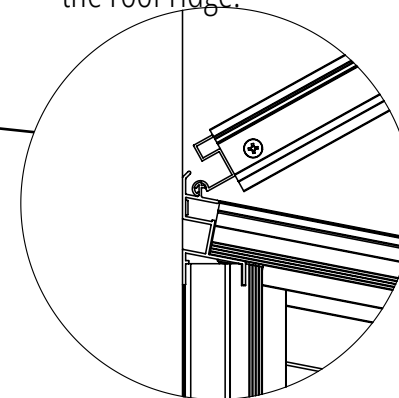
2 Installation of the window:

Lift the window out of the greenhouse and place it in front of the ridge.



3 Fastening the window :

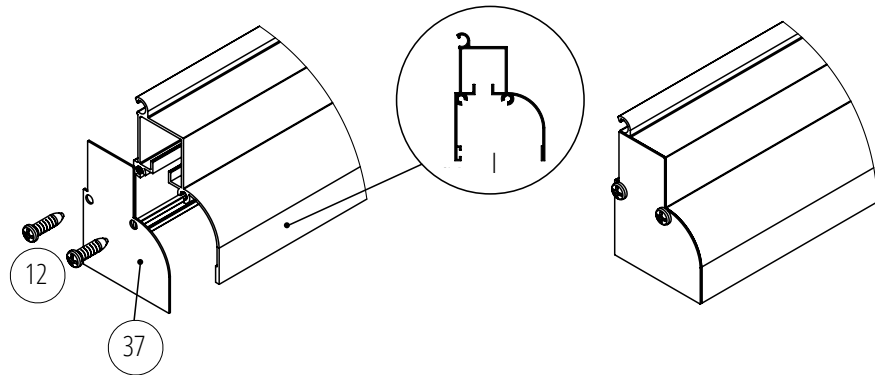
Slide the upper window profile to the insert provided on the roof ridge.



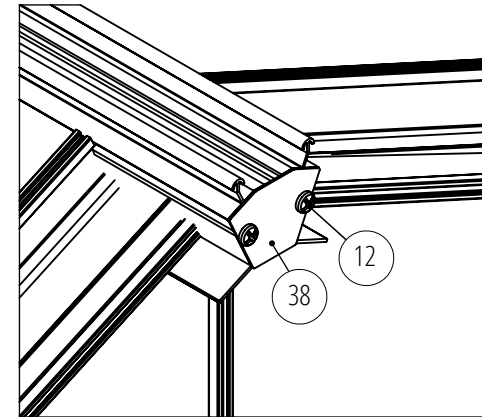
You can then add as many windows as you wish. Please note that you cannot position two windows side by side. You must position one every two panes.

FINISHING TOUCHES ON THE GREENHOUSE

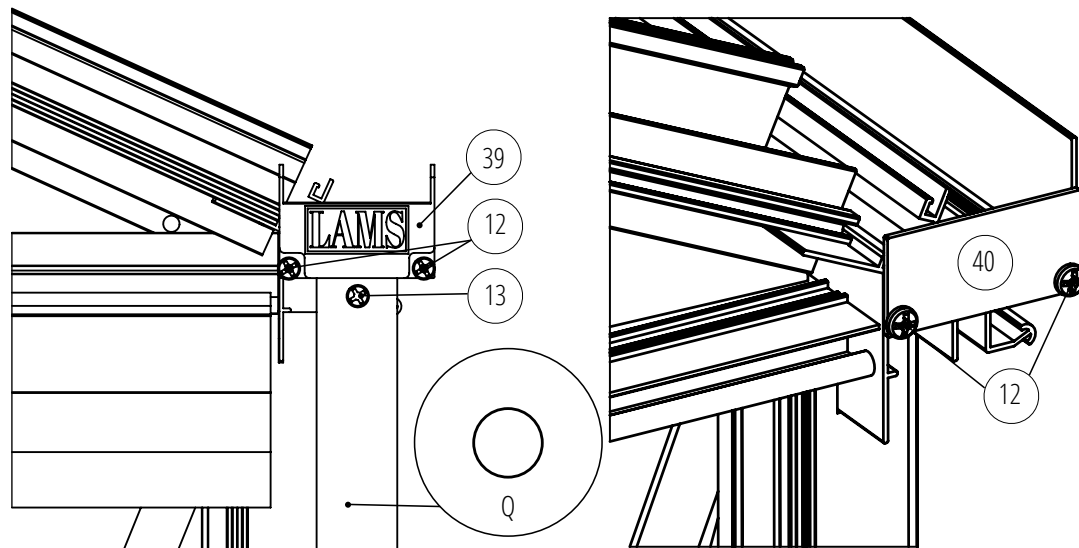
1 Fixing the upper door rail:



2 Fixing the ridge cover:

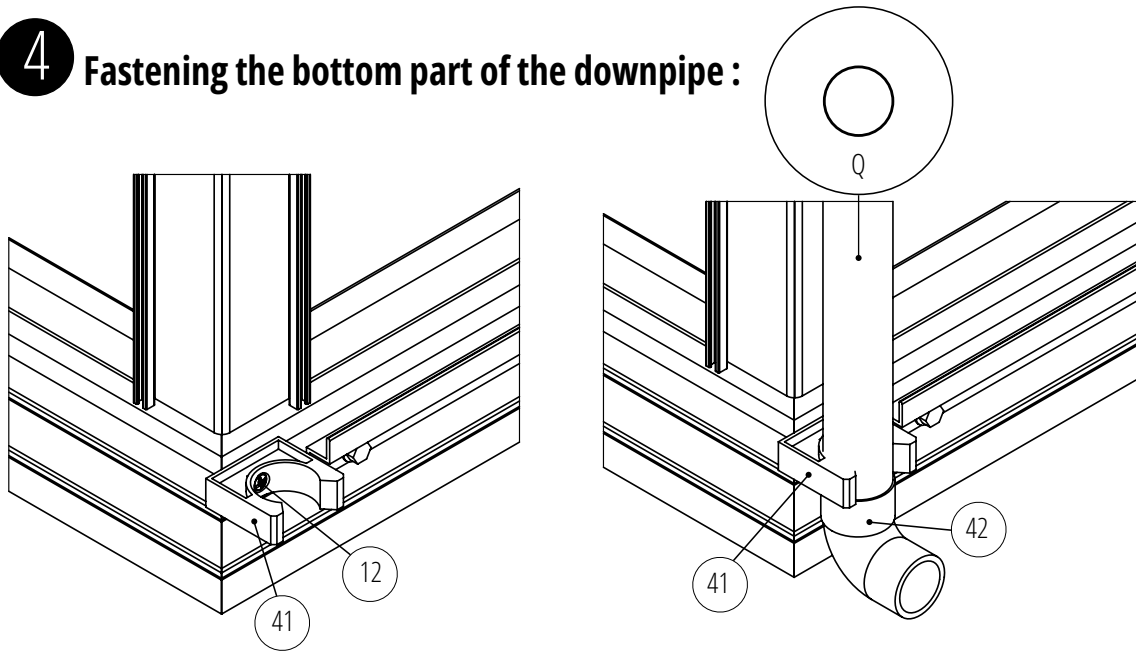


3 Fixing the gutter connector and end plate:



FINISHING TOUCHES ON THE GREENHOUSE

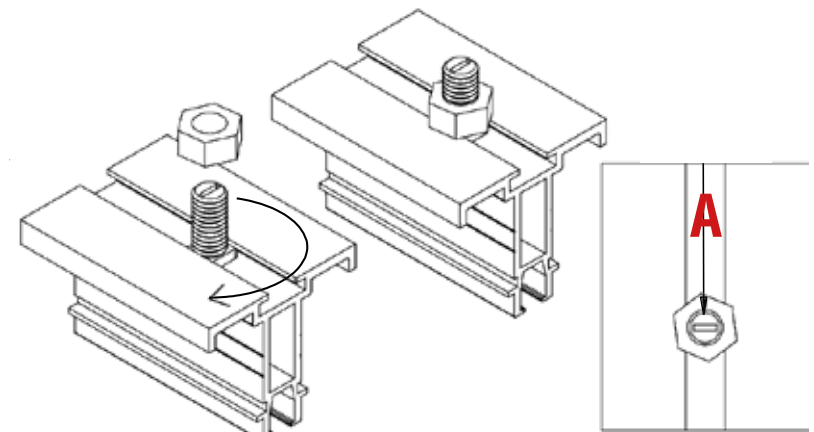
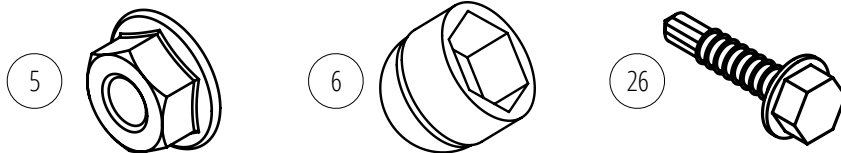
4 Fastening the bottom part of the downpipe :



First attach the pipe bracket to the downpipe. If the downpipe is painted, the paint may interfere with handling. Use a little sandpaper to remove some of the paint and make it easier to attach the angle bracket. Then attach the downpipe to the downpipe connection. Then attach the downpipe clamp (41) so that the downpipe is vertical and properly aligned.

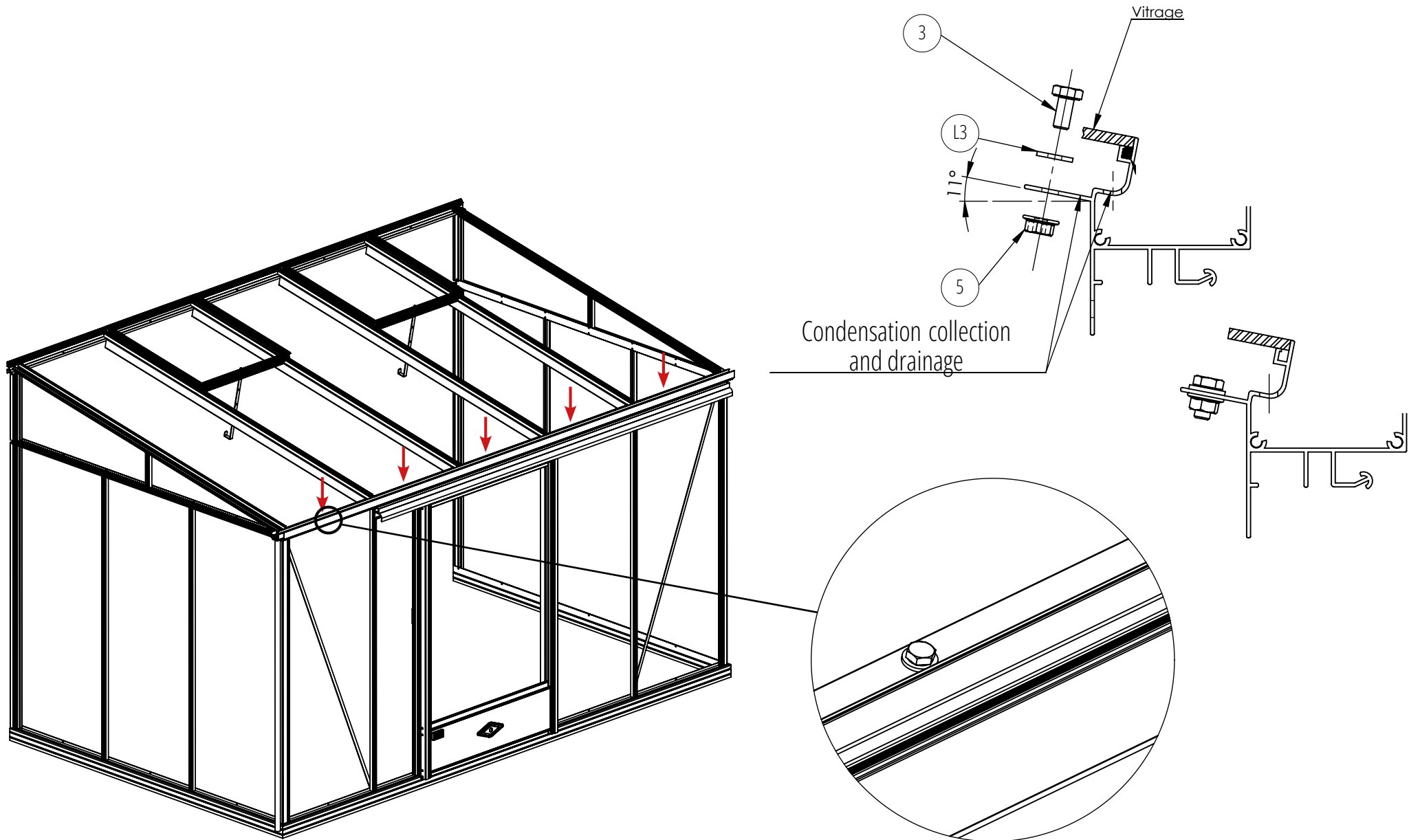
5 Add the plastic cover caps :

Your greenhouse is now completely ready. You can put the plastic cover caps on the M6 nuts (42) and hexagonal drill screws (46). Use this last step to check one last time that the nuts are correctly tightened and that the hammer-head screws (41) have been fitted correctly, perpendicular to the profile gap (A).



CONDENSATION DRAINAGE

To prevent excess condensation from flowing through the unused holes in the roof profiles onto the gutter, please position the screws, PVC disks and nuts as shown below.



OPTIONS & ACCESSORIES

These products can be ordered at any time after purchasing your greenhouse on our website www.serres-lams.com

REGULATE THE TEMPERATURE IN THE GREENHOUSE



Automatic window opener

Provides an automatic opening and closing of the window depending the indoor temperature.



Shading system

Protects your plants or interior furnishings from strong sunlight (magnifying glass effect).



Additional roof window

Provides an additional opening to ventilate your greenhouse.



Side window

Provides an additional opening to ventilate your greenhouse.

OPTIONS & ACCESSORIES

These products can be ordered at any time after purchasing your greenhouse on our website www.serres-lams.com

ADDITIONAL SLIDING DOORS



Insect screen door width 0,70 m



Door W. 0,77 m



Door W.1,00 m



Double door 2 x 0,77 m

By adding an extra door, the ventilation of the greenhouse can be optimised. Replacing a single door with a double door can make your life easier to bring in large pots of citrus plants or for easier access with a wheelbarrow. Our sliding doors can be fitted at any time on the gable or long side (contact us for more information).

OPTIONS & ACCESSORIES

These products can be ordered at any time after purchasing your greenhouse on our website www.serres-lams.com

RIDGE CRESTING AND PRACTICABILITY



Set of 2 access ramps - 46 x 42 cm

For easy and safe access with your wheelbarrow, when the door is open.

OPTIONS & ACCESSORIES

These products can be ordered at any time after purchasing your greenhouse on our website www.serres-lams.com

GREENHOUSE SET-UP



Table



Cultivation tray with removable bottom



Cultivation tray with waterproof bottom



Shelves

Useful accessories for a good use of your greenhouse: prepaton of the plants, storage place during gardening....



French glasshouse designer & manufacturer since 1993

*DOVIRIS - 43 Avenue Georges Clémenceau 85120 LA CHÂTAIGNERAIE - FRANCE - www.serres-lams.com
Non contractual visuals and illustrations.*

