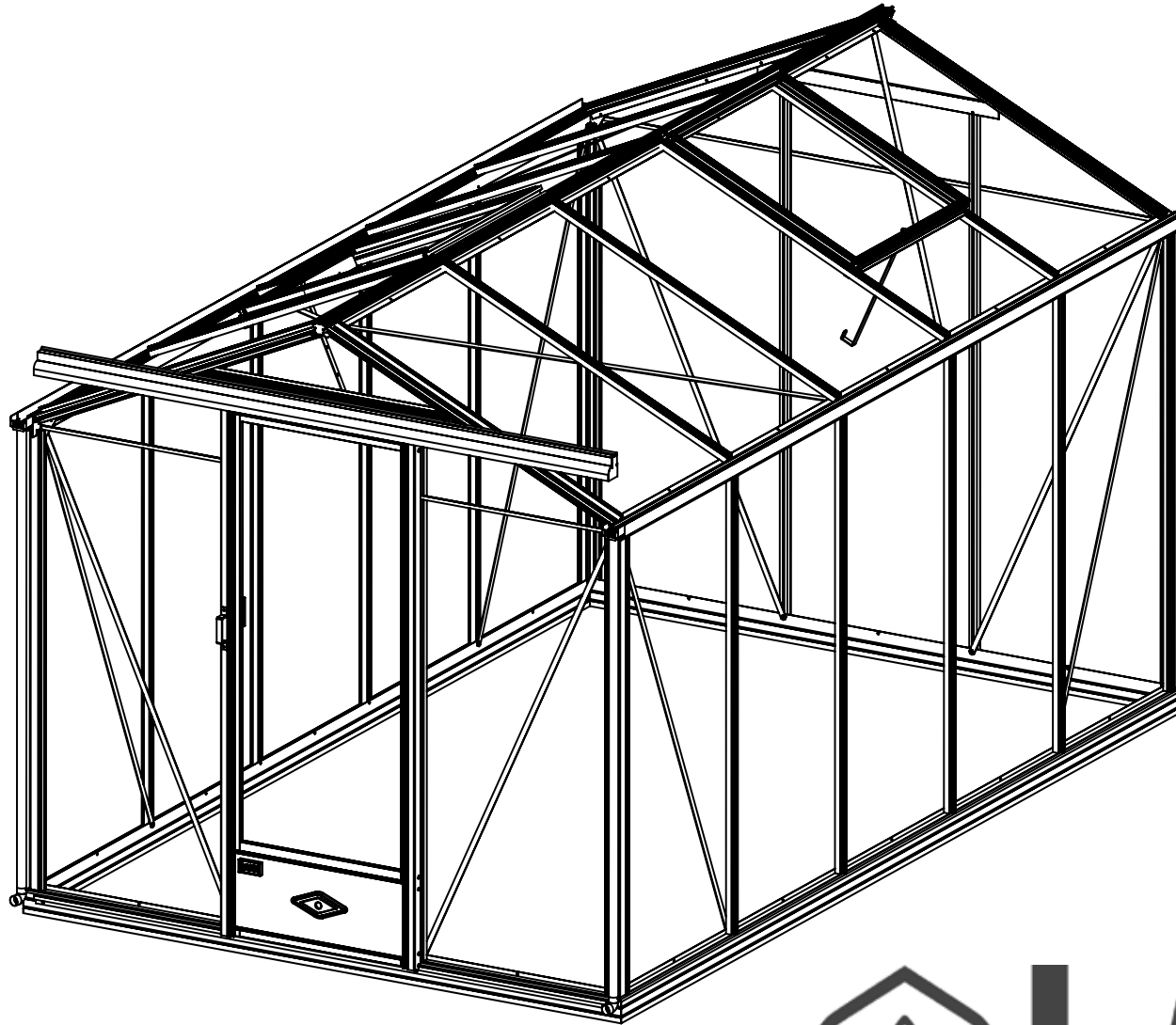


# GREENHOUSE ESSENTIA

WIDTH 2.36 M



*French glasshouse designer & manufacturer since 1993*

# TABLE OF CONTENTS

• Recommendations .....	03-04
• List of small parts .....	05
• List of profiles .....	06-07
• Choice of fastening to the ground .....	08
• Foundation plans for concrete blocks .....	09
• Foundations plans for concrete frame or slab .....	10
• Assembly of the baseframe .....	11
• Assembly of the wall corner profile – Overview from above .....	12
• Assembly of the wall corner profiles .....	13
• Assembly of the wall profiles and windbraces .....	14
• Assembly of the gutters and windbraces .....	15
• Assembly of the crossbeams .....	16
• Assembly of the roof corner profiles to the gutter .....	17
• Assembly of the roof corner profiles to the ridge .....	18
• Assembly of the windbraces to the roof ridge .....	19
• Assembly of the roof profiles and windbraces .....	20
• Information of the installation of the glazing and seal .....	21
• Installation of the glazing .....	22
• Installation of the upper door rail .....	23
• Assembly of the door .....	24-26
• Installation of the door .....	27
• Assembly of the roof window .....	28
• Installation of the roof window .....	29
• Completion .....	30-31
• Options&Accessories .....	32-35

# RECOMMENDATIONS



## IMPORTANT

### **Remember to declare your greenhouse to your insurer.**

Please read these instructions carefully before starting with the assembly.

Please ensure that all the individual parts listed in these instructions are included in the scope of delivery and check the quantities.

Please follow the steps in the order given in the instruction manual.

Do not be surprised if you see some aluminium profiles that have  $\varnothing 3\text{mm}$  small holes, although according to the instructions no holes are provided. These holes were used to hang the profiles in the spraying booth using a 3 mm steel wire.

## SAFETY INSTRUCTIONS

Please wear gloves, shoes and protective goggles when assembling the greenhouse.

Take into account the safety instructions for the tools you use for this assembly.

Do not set up your greenhouse in bad weather (rain, wind, thunderstorms...).

The greenhouse must be assembled by a minimum of 2 people.

The plastic bags and small parts should be kept out of the reach of children. Keep children away from the assembly area.

Aluminium is an electrically conductive metal, keep the aluminium profiles away from all electrical sources.

Heat generating appliances (barbecue, burners, ...) must not be stored in the greenhouse.

The greenhouse must be placed and fixed on a horizontal and level floor, not exposed to the wind.

Make sure that there are no networks (water, electricity or gas) under the installation site.

Caution, do not climb onto the roof: risk of falling and serious injury.

In case of heavy snowfall, do not let the snow accumulate on the roof.

## MAINTENANCE INSTRUCTIONS

Use clear soapy water to clean your greenhouse.

Do not use acetone, abrasive cleaners or other cleaning agents to clean the greenhouse.

**Use the high-pressure cleaner from a safe distance.**

Lubricate the door rail regularly.

Clear the roof of snow and leaves.

## CUSTOMER SERVICE AND INFORMATION

Site internet : [www.sav-doviris.com](http://www.sav-doviris.com)

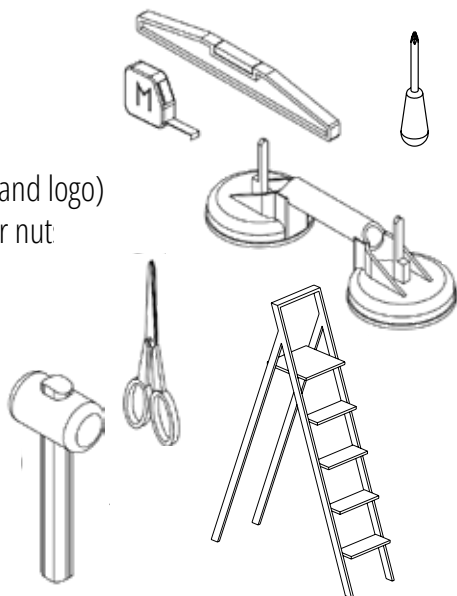
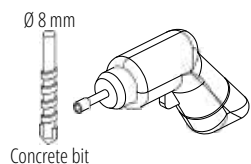
# RECOMMENDATIONS

## ACCESSORIES INCLUDED



## NECESSARY TOOLS

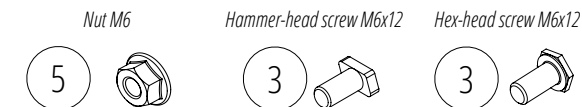
- Level
- Measuring tape
- Rubber mallet
- Scissors (to cut the gasket)
- Screwdriver
- Ø 8 mm wrench (for palmette and logo)
- Ø 13 mm wrench (for the roller nut)
- Cordless screwdriver
- Ladder



## ASSEMBLING THE PROFILES OF YOUR GREENHOUSE

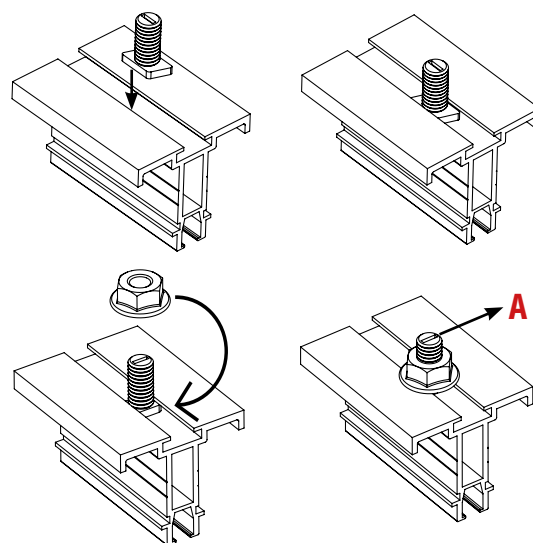
The M6 nuts (5) and screws (3) (hammer-head and hexagonal - 50% each) are essential components for the assembly.

The hammer-head screw can be inserted into your profile at any time. However, it must be ensured that the hammer-head screw is correctly placed, so that it does not fall out of the profile.

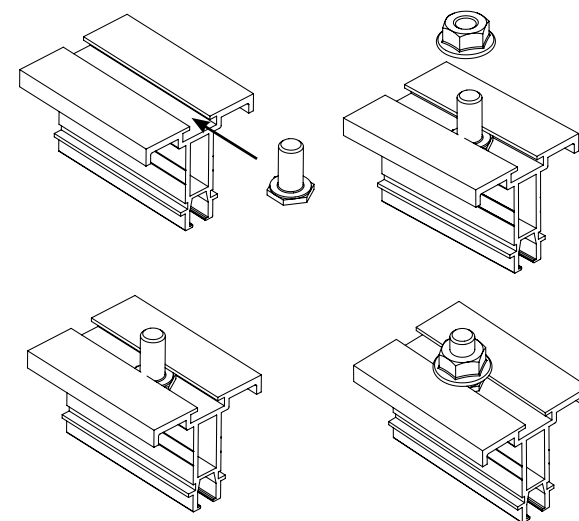
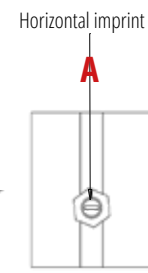


The hexagon head screw is inserted at one end of the profile and cannot be removed from the profile after assembly.

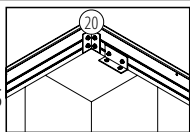
**Favour hex-head screws as much as possible at the beginning of the assembly. On the instructions you will only find illustrations of the hammer-head screw (3), but you can use the screw of your choice.**



At the foot of the hammer-head screw there is a slot. The perpendicular positioning of the slot to the the profile groove (visual **A**) ensures that the head of the screw is correctly inserted.

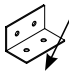
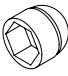

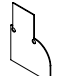
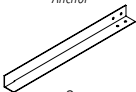

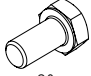






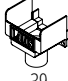

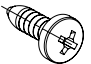


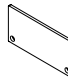







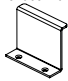


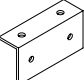



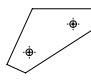
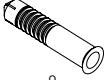
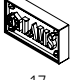
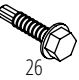

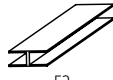
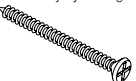




Indication of the instructions



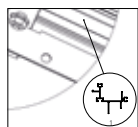
# LIST OF SMALL PARTS

The 6-digit part number (ex.: 795526) enables identification of the components in case of exchanges with you and our customer service.

Component detail	Part number	Component detail	Part number	Component detail	Part number	Component detail	Part number	Component detail	Part number
 Baseframe angle 1 40 x 40 x 72.5 mm	795526			 Plastic cover cap M5 black 19		 Small sealing brush - Upper door rail 28		 Door rail cover 37	795214
 Anchor 2	953909 L. 500 mm	 Fastening for 8 mm panels 11	795795	 Hex-head screw M8x12mm 20	795346	 Big sealing brush - Vertical door profiles 29	795344	 Ridge cover 38	953913
 Hammer-head screw M6x12 Hex-head screw M6x12 3	365401 994778	 Lens head drilling screw 4,8x25mm 12	796735	 Roller 21	954916	 Rubber seal wall and roof profiles 30	794421	 Gutter outlet Ø32mm 39	795032
 Hammer-head screw M6x20mm 4	608010	 Lens head screw 4,2x16mm 13	365426	 Disk Ø8x30 22	365500	 Rubber seal doors and windows 31	606162	 Gutter endpiece 40	953907
 Nut M6 5	789280	 Plastic cover cap Ø10 black (door) 14	795345	 Nut M8 23	365472	 Rubber seal lower window profile 32	795456	 Downpipe clamp Ø32mm 41	795337
 Plastic cover cap M6 black 6	365483	 Lower door panel 15	954933 662 x 267 mm	 Interior door handle 24	795213	 Manual window opener 33	953914	 Pipe angle 90° Ø 32mm 42	367140
 Fastening angle 7	364580	 Palmette 16	363235	 Exterior door handle 25	795212	 Hex-head screw M6x40 34	797679	 Angle plate 60x63x1.5 mm E1	954919
 Nylon dowel 8x40mm 8	365580	 LAMS logo 17	794995	 Hexagonal drilling screw 6,3x25,4mm 26	365424	 Nut M6 35	365484	 PVC-H profile for 4 mm glass L. 730 mm E2	952889
 Screw M5x60 for fastening angle 9	365548	 Hex-head screw M5x8mm for palmette and logo 18	364408			 Hex-head screw M6x20 36	624245		

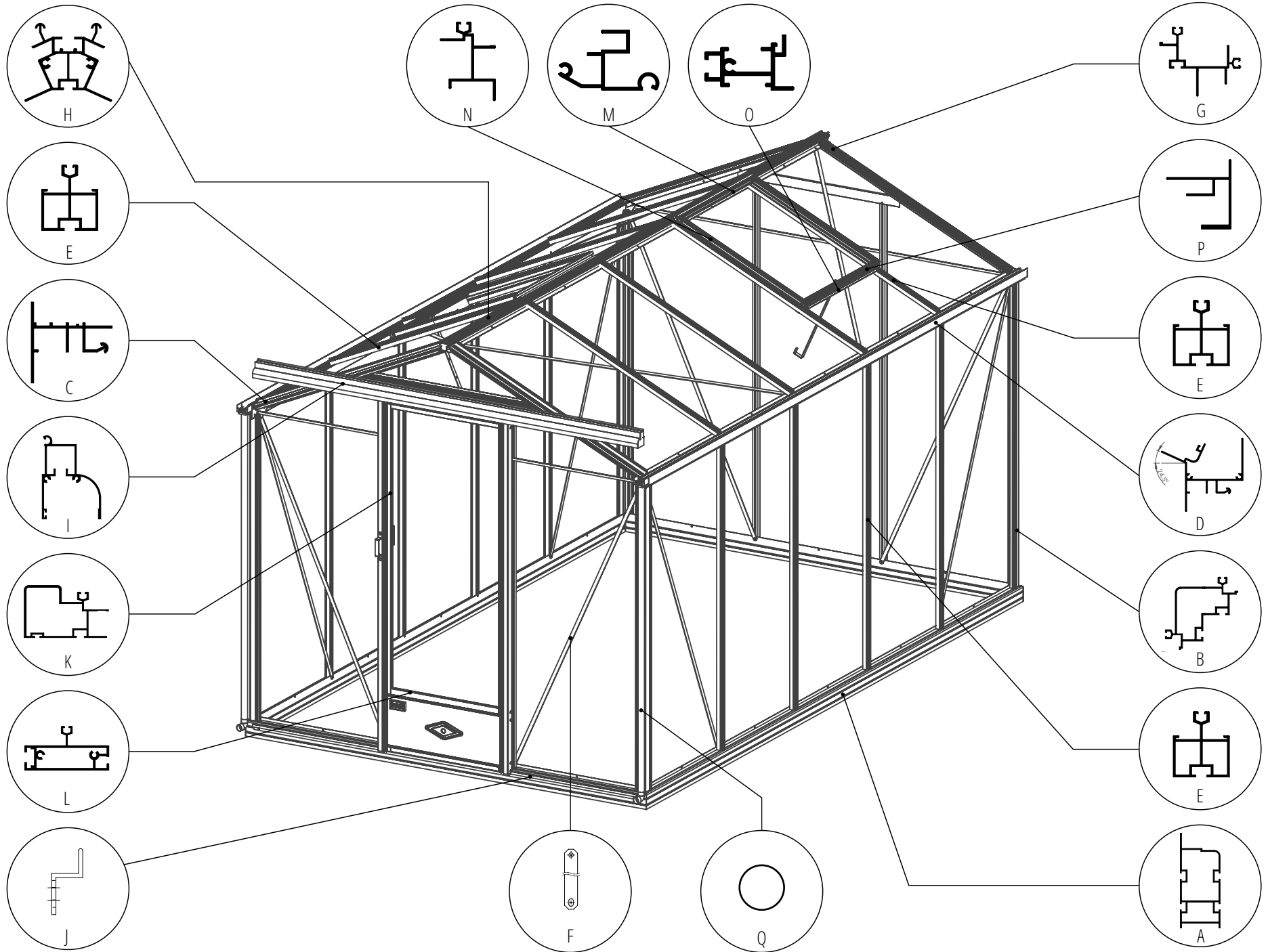
# LIST OF PROFILES

Indication of the instructions



The 6-digit part number (ex.: 952900) enables identification of the components in case of exchanges with you and our customer service.

Component detail	Part number	Component detail	Part number	Component detail	Part number
<p><i>Baseframe</i></p> <p>A</p>	Greenhouse L. 2,36 m : 954924 Greenhouse L. 3,09 m : 952894 Greenhouse L. 3,80 m : 954923 Greenhouse L. 4,57 m : 952893 Greenhouse L. 5,30 m : 954945 Greenhouse L. 6,04 m : 954946	<p><i>Roof corner profile</i></p> <p>G</p>	952900 L. 1223 mm	<p><i>Side window profile</i></p> <p>N</p>	952903 L. 810 mm
<p><i>Wall corner profile (right/left)</i></p> <p>B</p>	Facing the greenhouse Left side (L) : 954926 L. 1638 mm Right side (R) : 954925 L. 1638 mm	<p><i>Roof ridge</i></p> <p>H</p>	Greenhouse L. 2,36 m : 795971 Greenhouse L. 3,09 m : 795483 Greenhouse L. 3,80 m : 954929 Greenhouse L. 4,57 m : 952902 Greenhouse L. 5,30 m : 954943 Greenhouse L. 6,04 m : 954944	<p><i>Lower window profile</i></p> <p>O</p>	952905 L. 731 mm
<p><i>Crossbeam</i></p> <p>C</p>	954930 x 2 pcs L. 943 mm	<p><i>Upper door rail</i></p> <p>I</p>	994819 L. 2247 mm	<p><i>Window stopper profile</i></p> <p>P</p>	953906 L. 763 mm
<p><i>Gutter</i></p> <p>D</p>	Greenhouse L. 2,36 m : 797883 Greenhouse L. 3,09 m : 795484 Greenhouse L. 3,80 m : 954928 Greenhouse L. 4,57 m : 952899 Greenhouse L. 5,30 m : 954941 Greenhouse L. 6,04 m : 954942	<p><i>Lower door rail</i></p> <p>J</p>	954935 L. 2238 mm	<p><i>Aluminium downpipe Ø32mm</i></p> <p>Q</p>	954920 L. 1695 mm
<p><i>Wall and roof profile</i></p> <p>E</p>	<p><b>Number of pcs depending on greenhouse length</b></p> Wall: 795226 - L. 1638 mm Roof: 954932 - L. 1223 mm Gable: 954931 x 4 pcs - L. 1937 mm	<p><i>Door side profile L/R</i></p> <p>K</p>	Left side: 955935 L. 1898 mm  Right side: 954934 L. 1898 mm		
<p><i>Windbraces wall/roof</i></p> <p>F</p>	<p><b>Greenhouse L. 2,36/3,09/3,80/4,57m</b></p> Roof beam: 954917 L. 1884 mm x 4 pcs  Wall beam: 954918 L. 1803 mm x 8 pcs	<p><i>Door intermediate profile</i></p> <p>L</p>	954936 L. 661 mm		
	<p><b>Greenhouse L. 5,30/6,04m</b></p> Roof beam: 795839 L. 2497 mm x 4 pcs  Wall beam: 954918 L. 1803 mm x 8 pcs	<p><i>Upper window profile</i></p> <p>M</p>	952904 L. 770 mm		



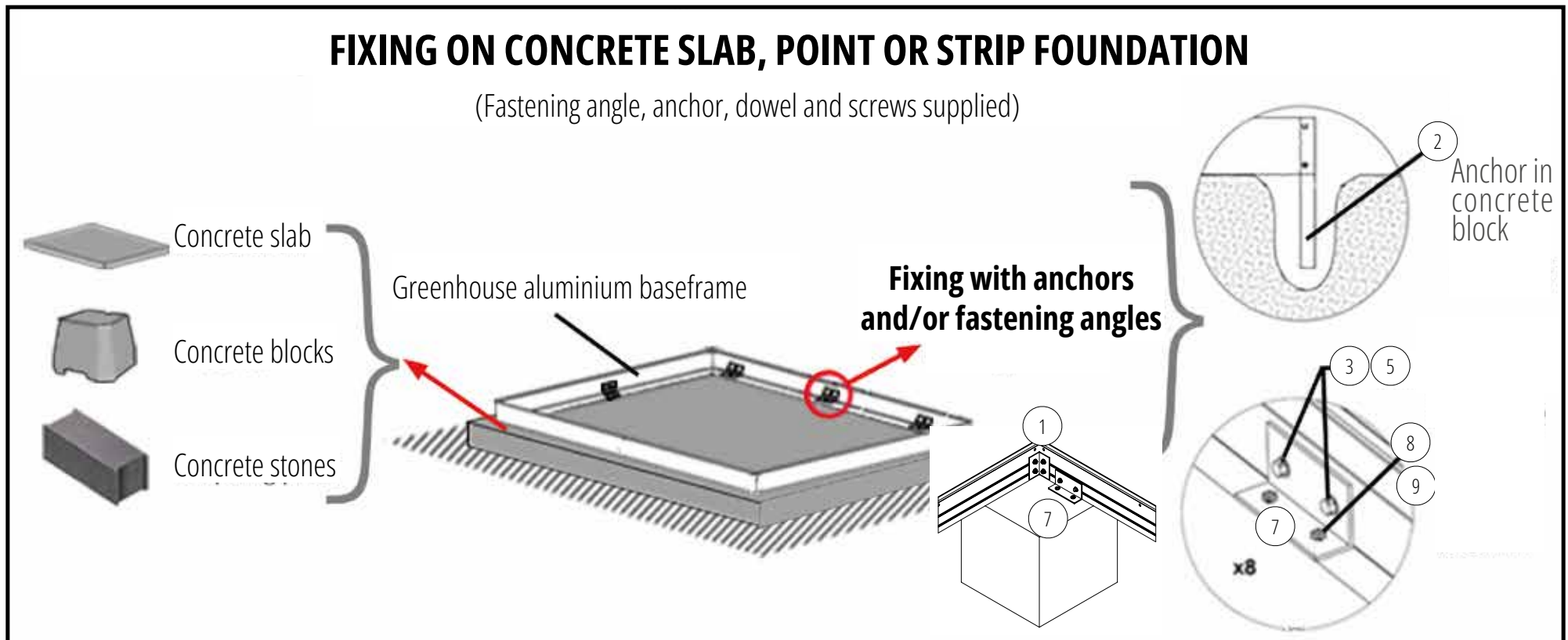
# CHOICE OF FASTENING TO THE GROUND

All the necessary parts are supplied to set up your greenhouse on a concrete slab, on concrete blocks (point foundation) or on a concrete frame (strip foundation). Whichever you choose, it is imperative that your greenhouse is erected on a level surface. Before attaching your foundation frame to the foundation of your choice, check that the two diagonals of your foundation frame are at right angles.



## FIXING ON CONCRETE SLAB, POINT OR STRIP FOUNDATION

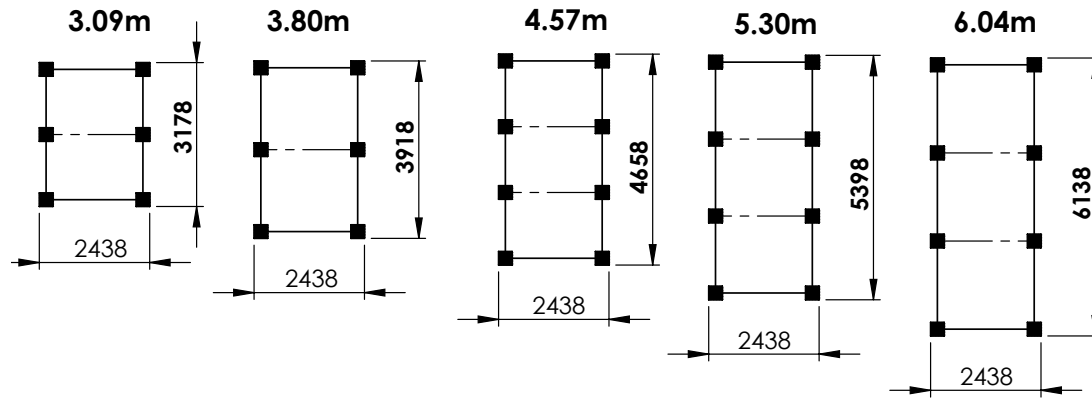
(Fastening angle, anchor, dowel and screws supplied)



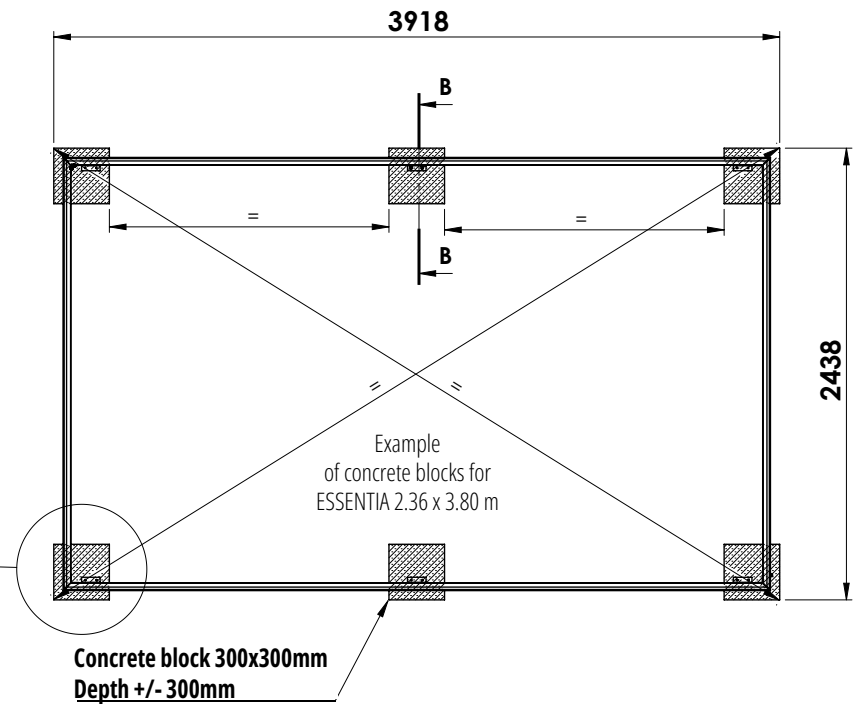
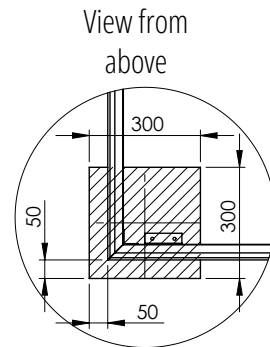
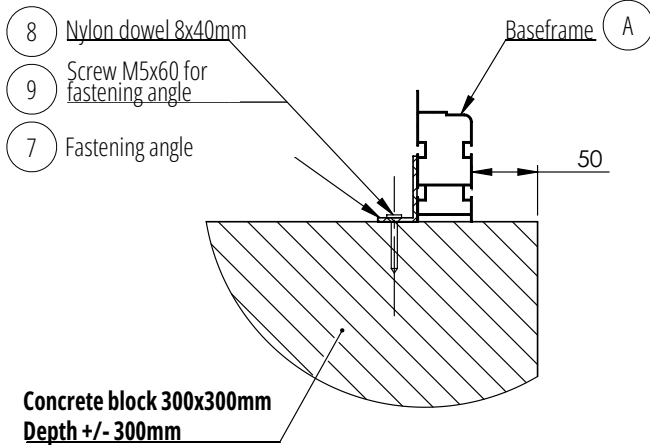
# FOUNDATION PLANS FOR CONCRETE BLOCKS

Greenhouse width 2.36 m

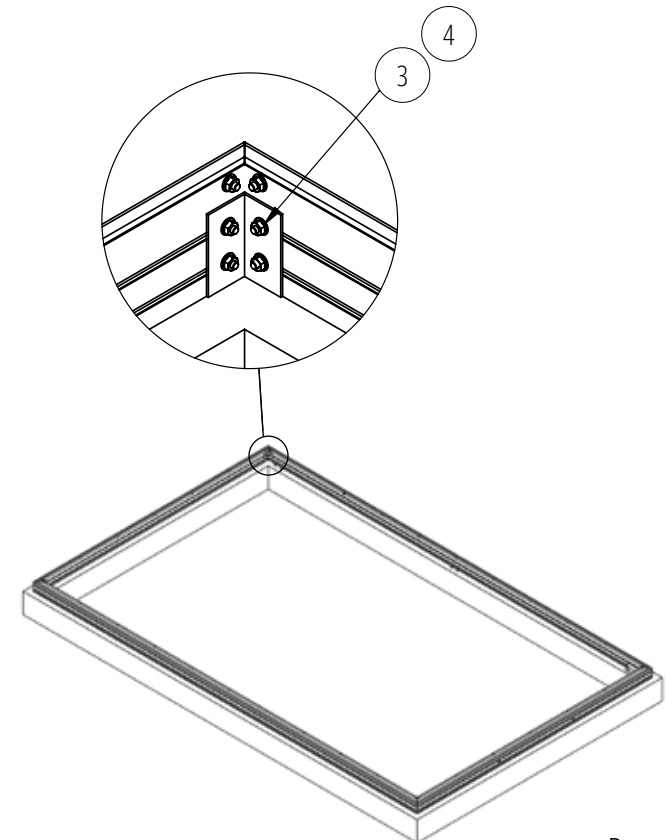
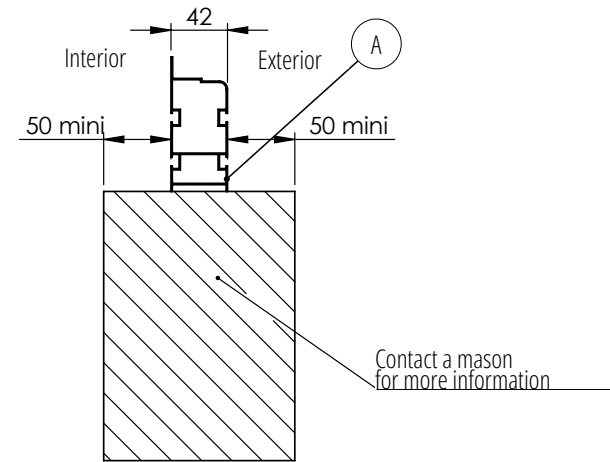
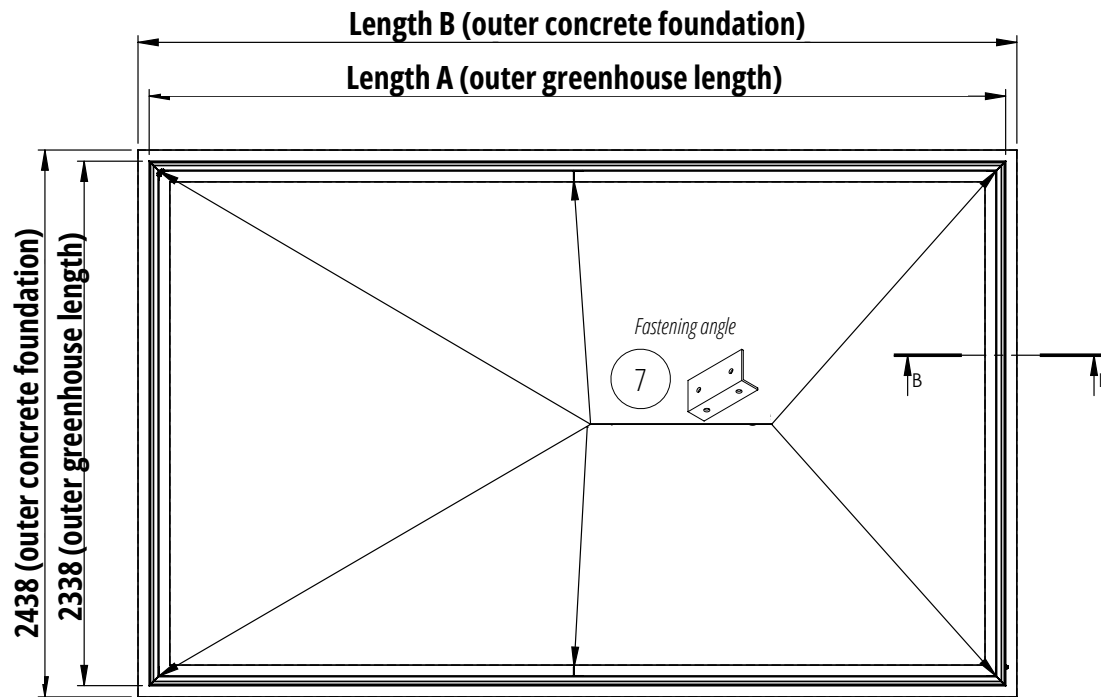
According to the greenhouse length



**View B-B**  
Scale 1 : 10



# FOUNDATIONS PLANS FOR CONCRETE FRAME OR SLAB



Greenhouse length	3.09 m	3.80 m	4.55 m	5.30 m	6.05 m
Length A (mm)	3078	3818	4558	5298	6038
Length B (mm)	3178	3918	4658	5398	6138

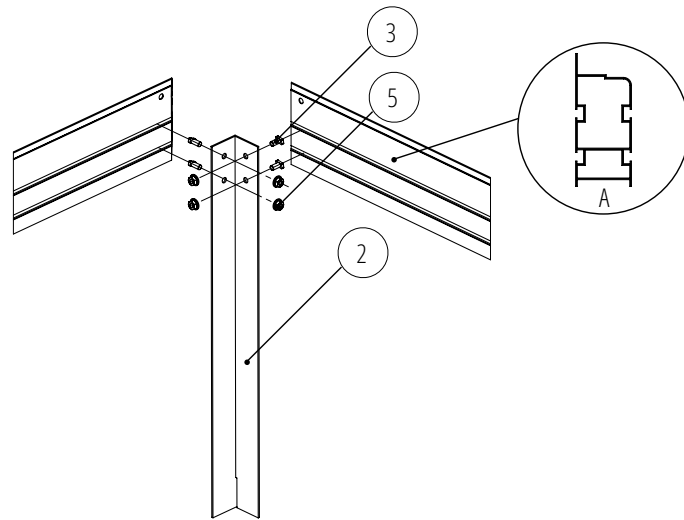
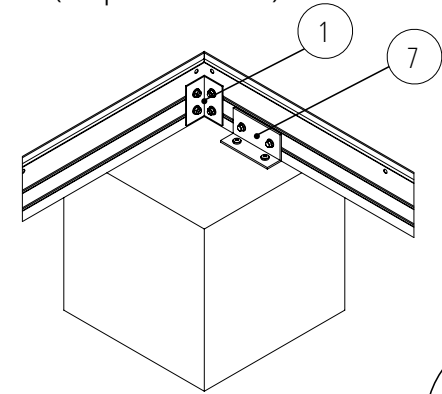
# ASSEMBLY OF THE BASEFRAME

**Case 1** with anchor in the corners and fastening angles on the sides in and on concrete blocks (point foundation).

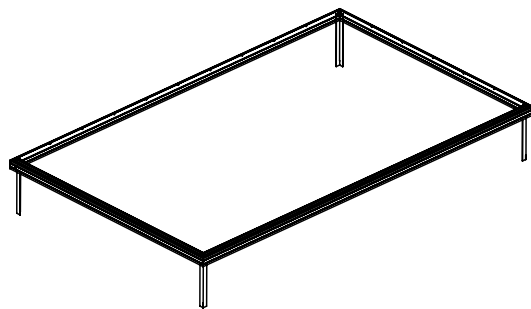
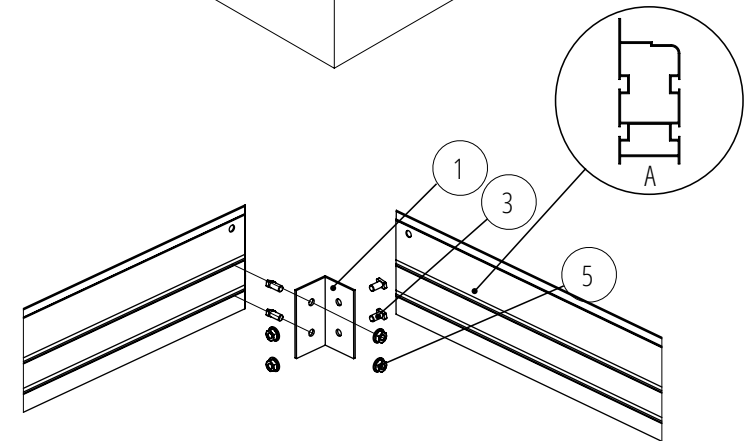
**Case 2** with fastening angles on concrete blocks (point foundation), concrete frame (strip foundation) or concrete slab.



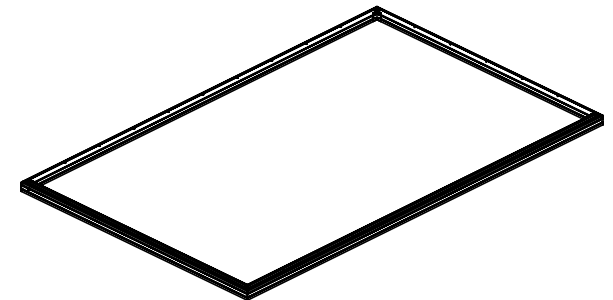
End result



Assembling the baseframe at the corners



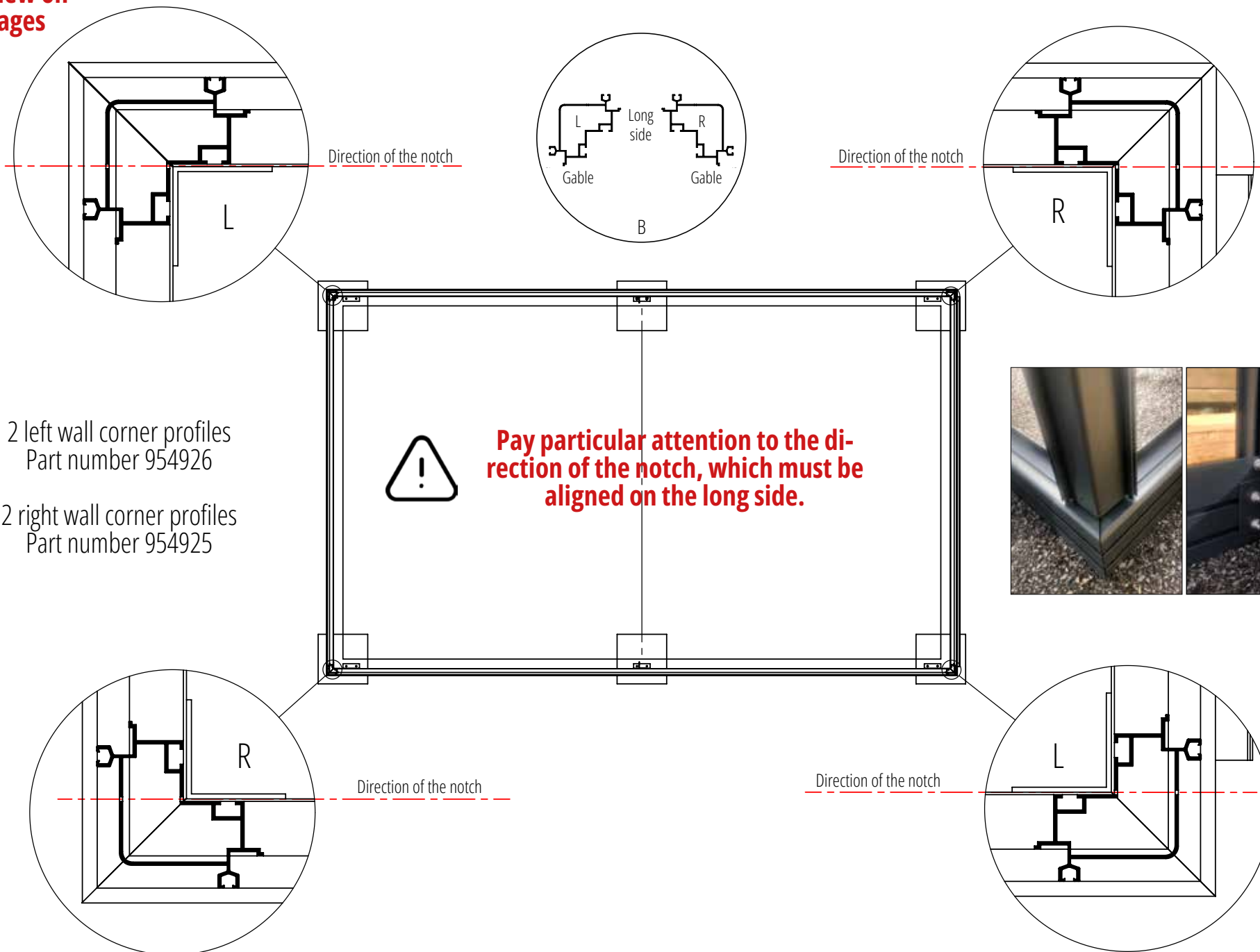
Overview



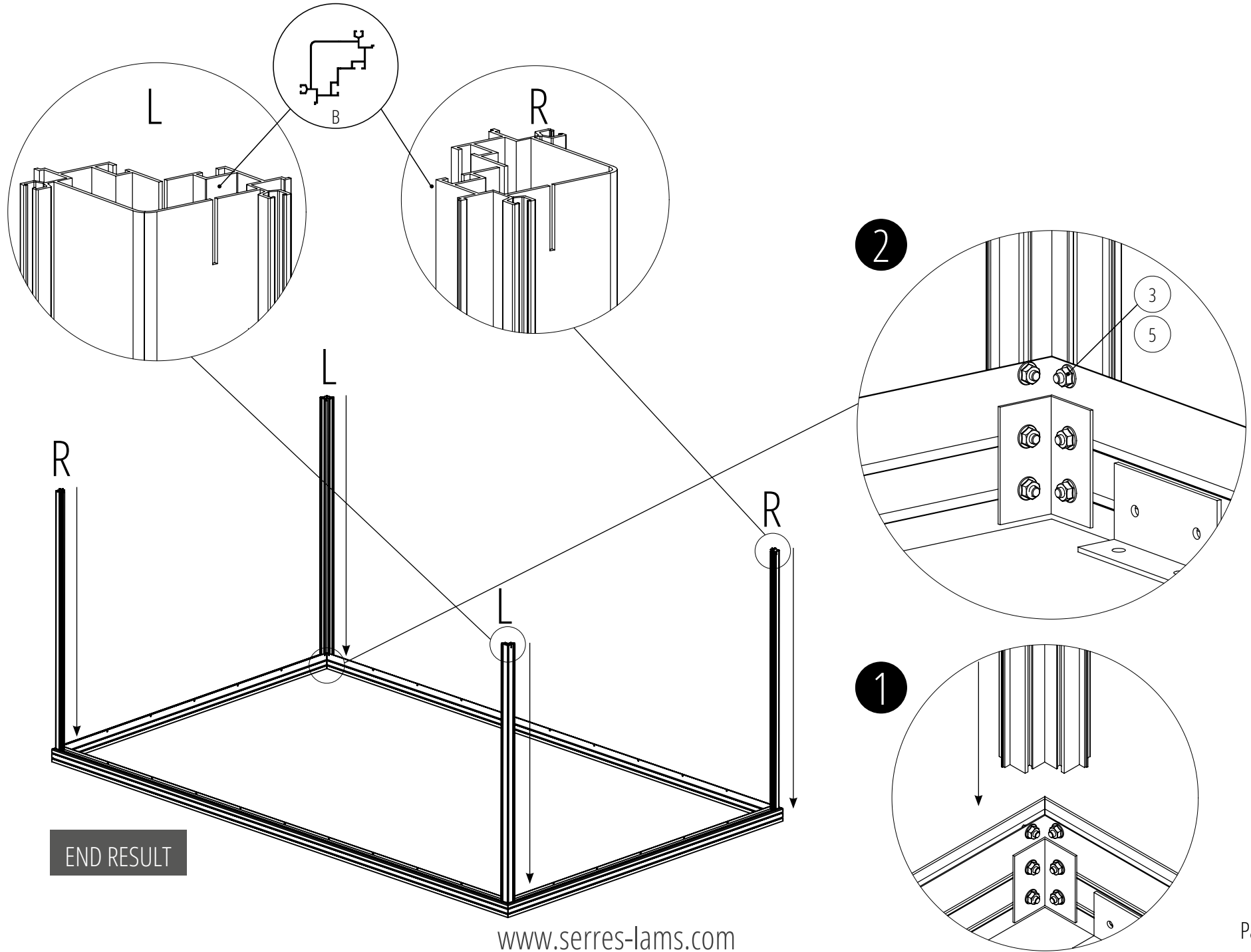
**Fix your baseframe permanently after complete assembly of the aluminium structure (except doors and windows) on a flat and right-angled surface.**

Detailed view on  
the next pages

## ASSEMBLY OF THE WALL CORNER PROFILE - OVERVIEW FROM ABOVE



# ASSEMBLY OF THE WALL CORNER PROFILES

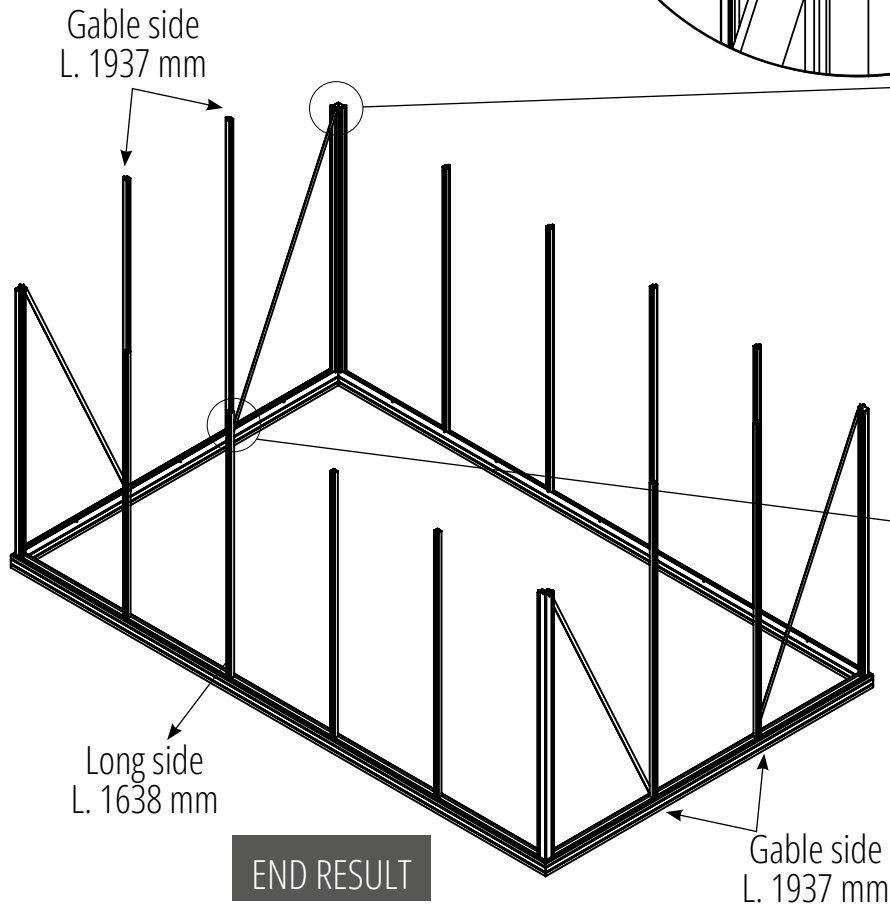
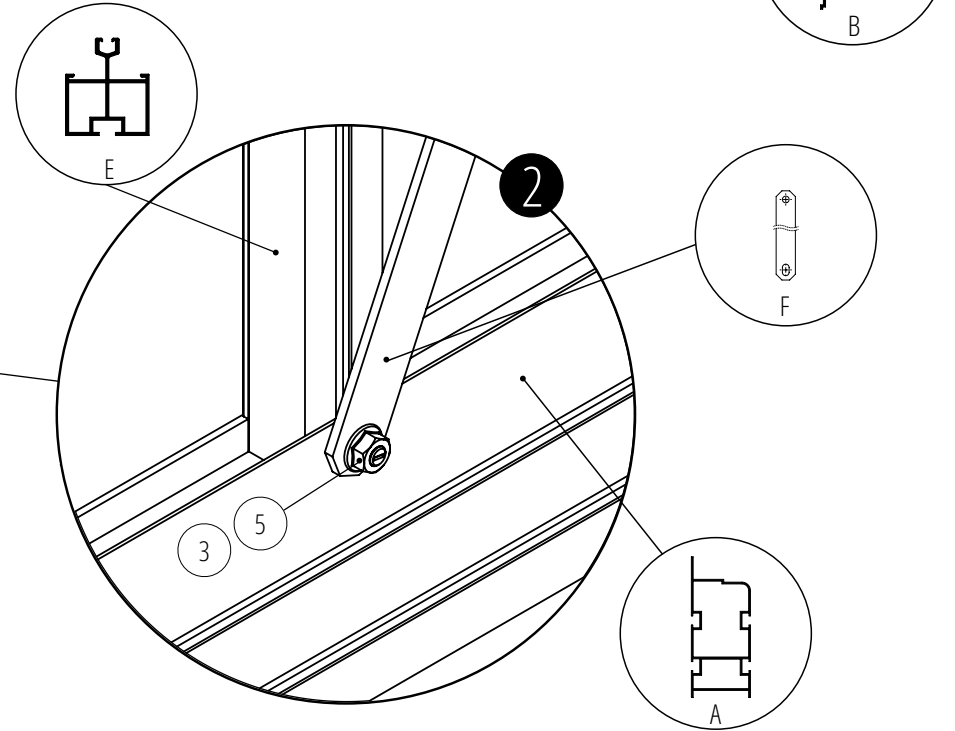
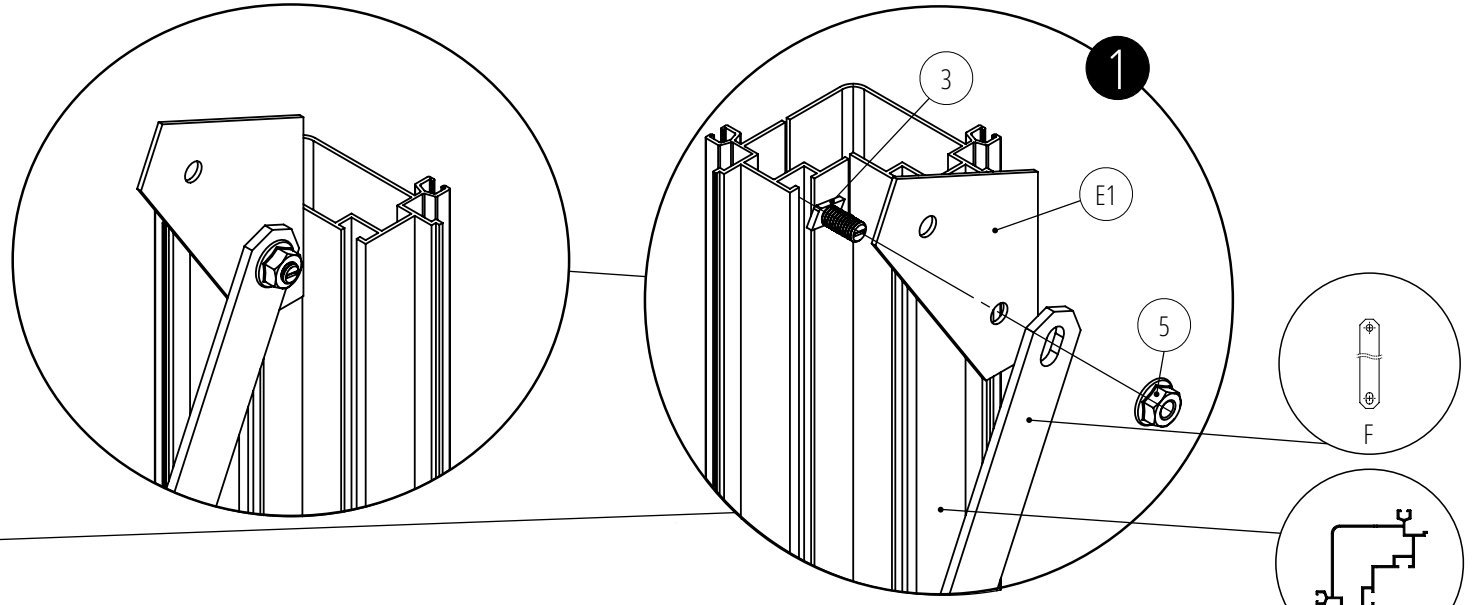


END RESULT

# ASSEMBLY OF THE WALL PROFILES AND WINDBRACES

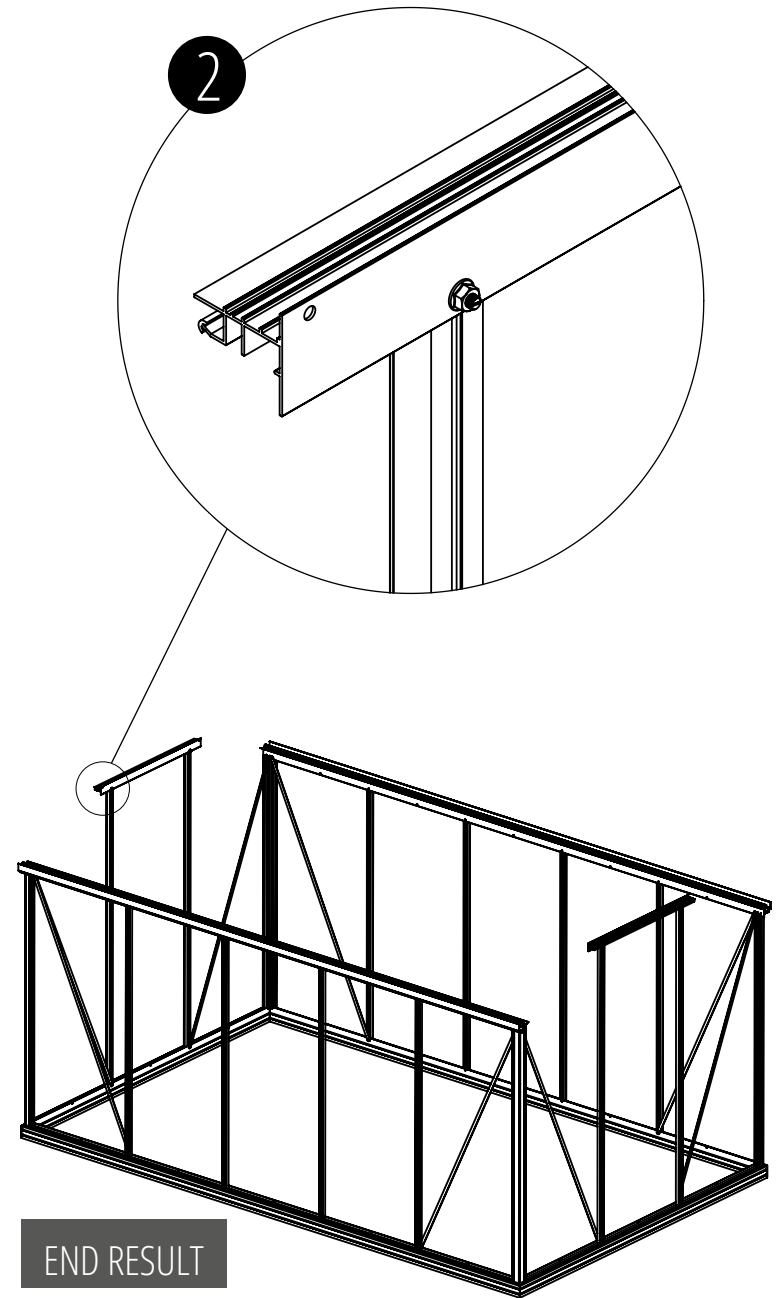
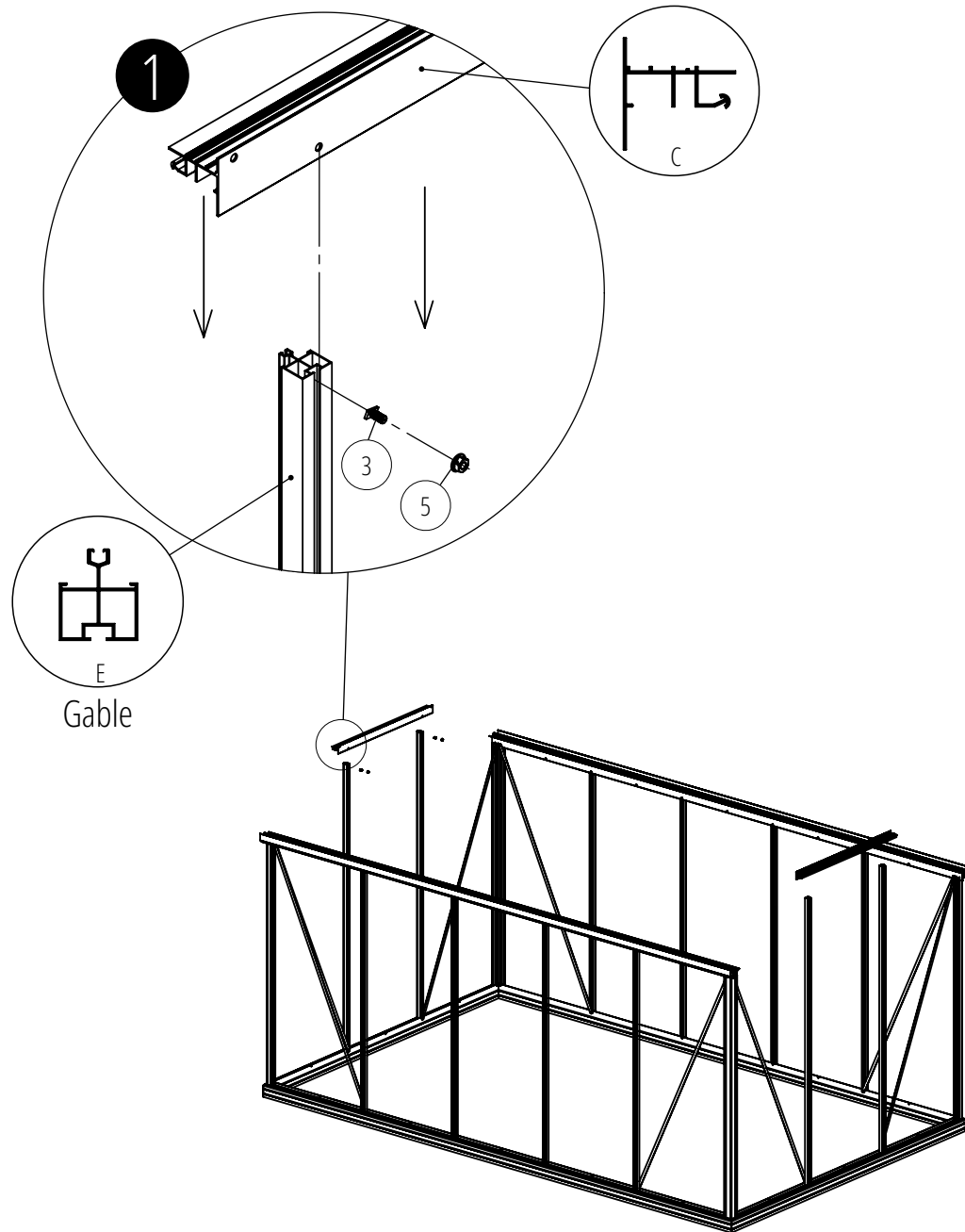


Ensure that the windbraces are screwed in when they are on the same nuts that connect them to the baseframes, wall profiles, cross-beams or gutters.

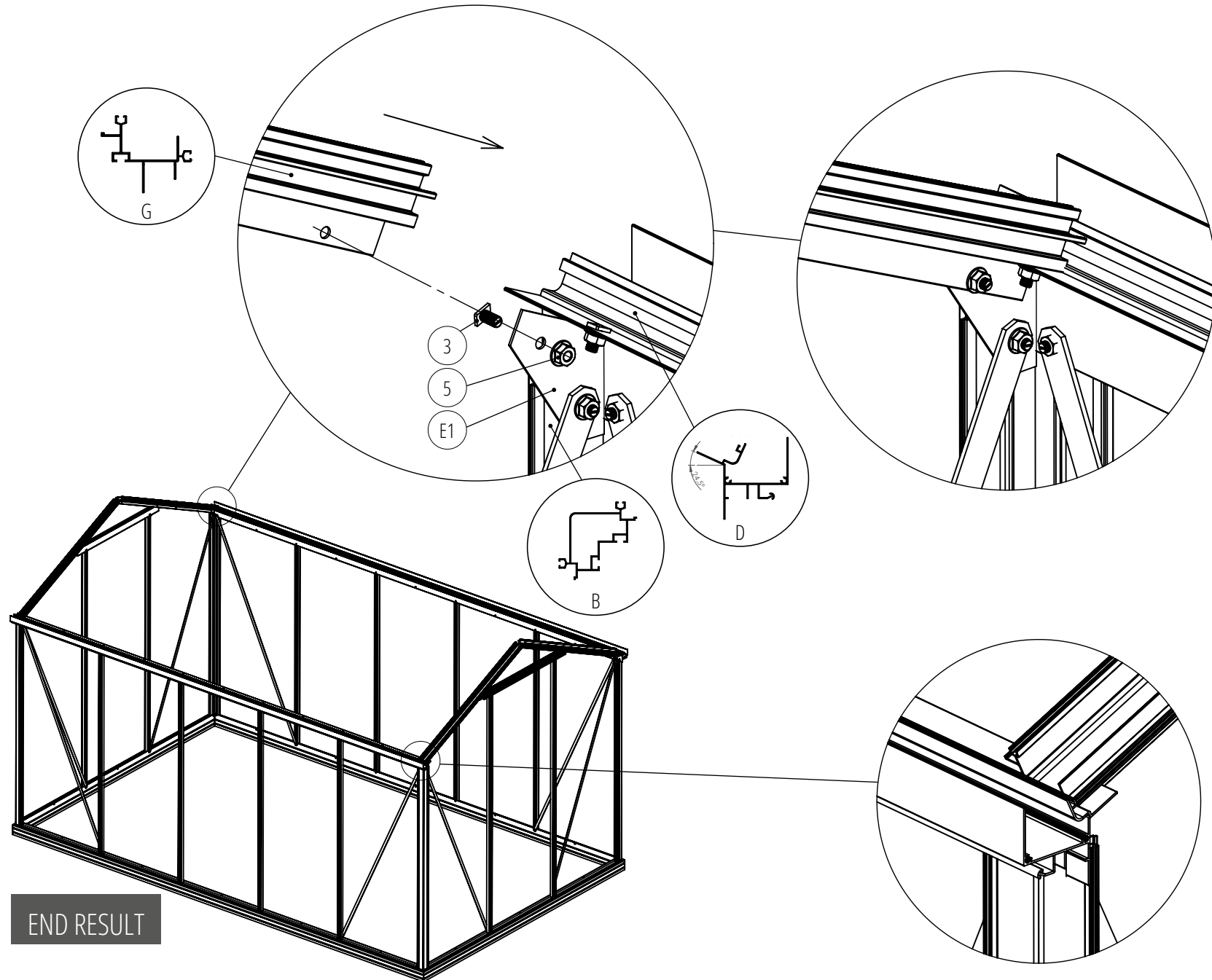




# ASSEMBLY OF THE CROSSBEAMS

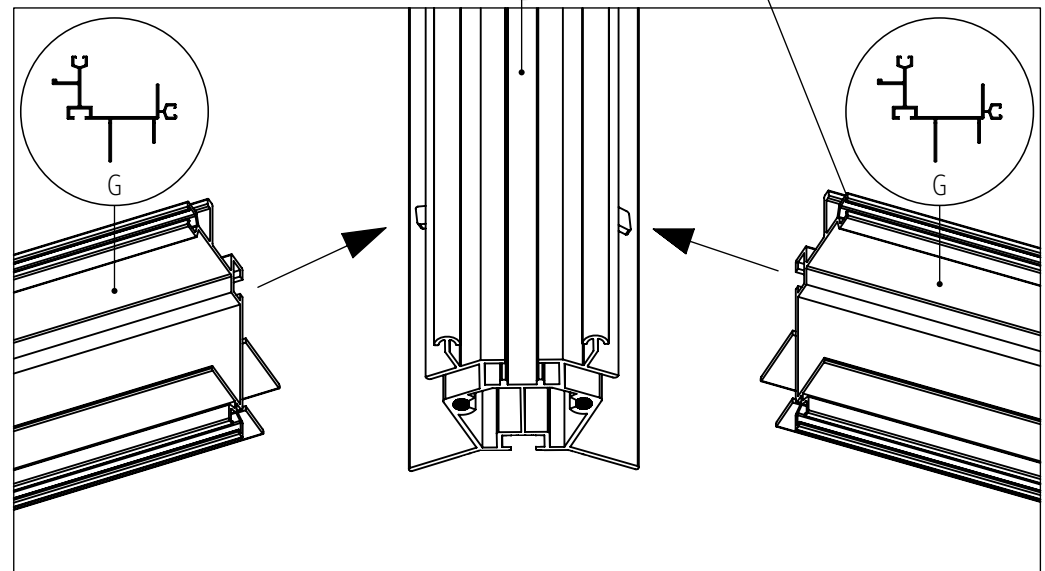
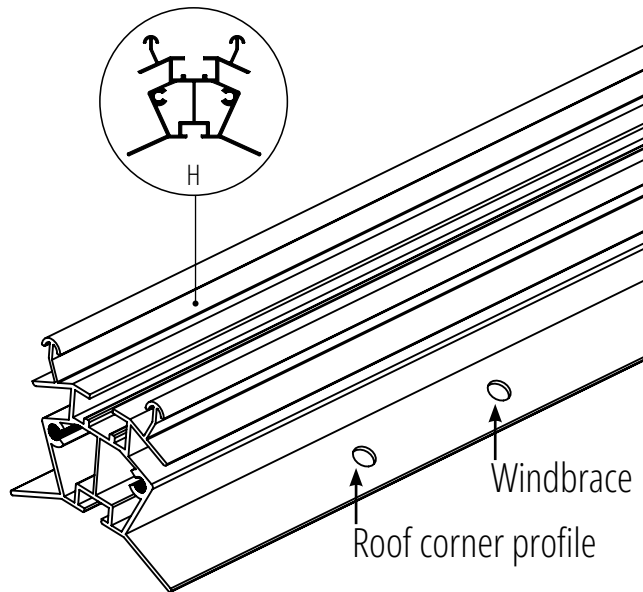
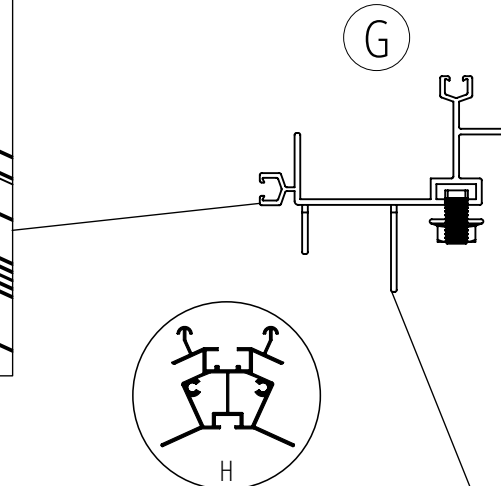
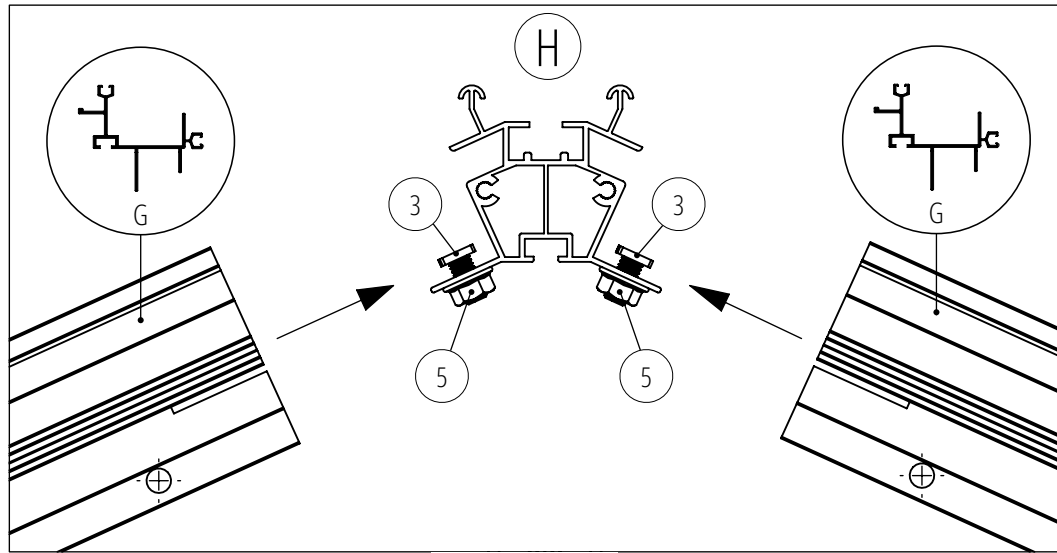


# ASSEMBLY OF THE ROOF CORNER PROFILES TO THE GUTTER

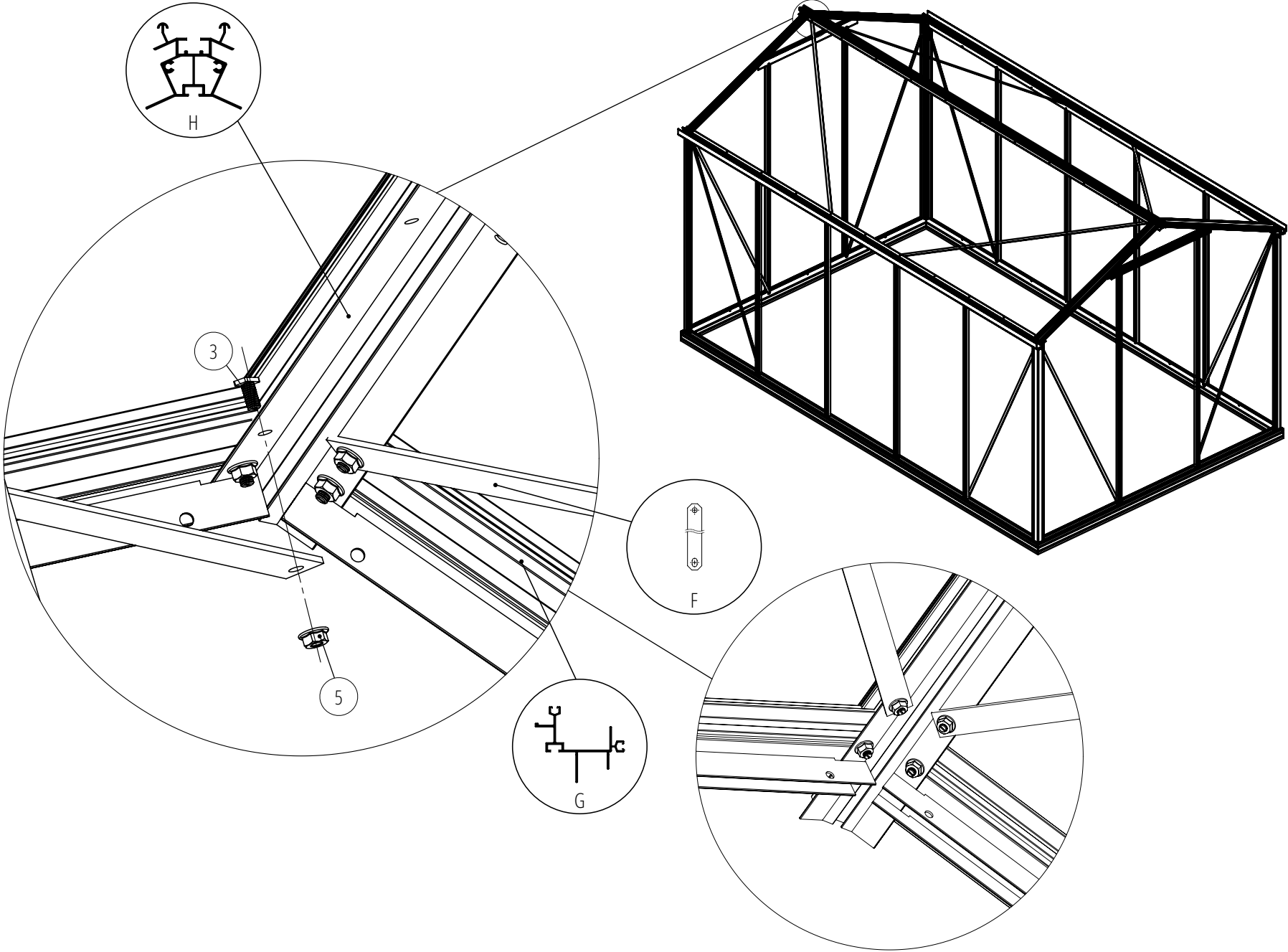


END RESULT

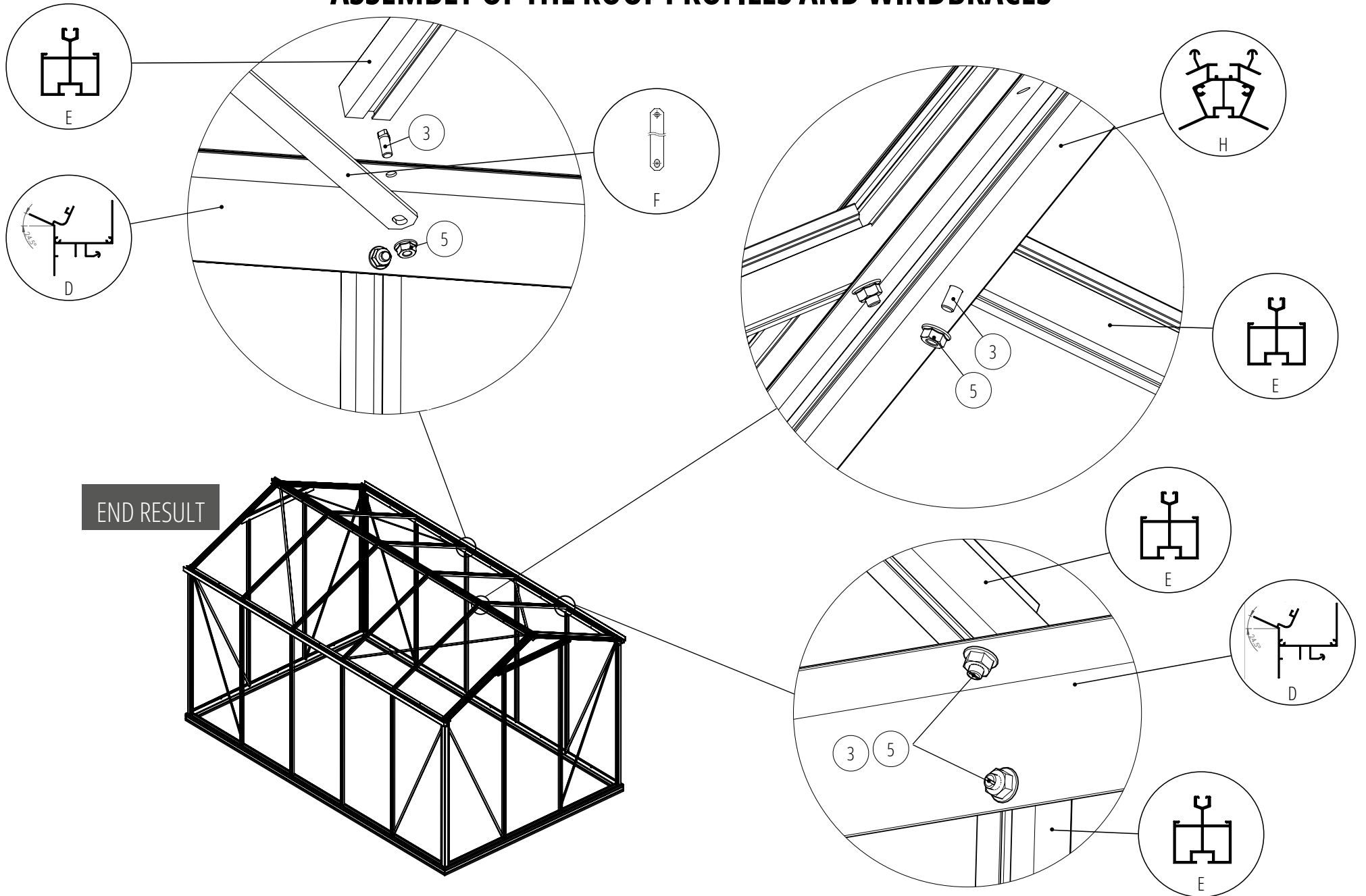
# ASSEMBLY OF THE ROOF CORNER PROFILES TO THE RIDGE



# ASSEMBLY OF THE WINDBRACES TO THE ROOF RIDGE



# ASSEMBLY OF THE ROOF PROFILES AND WINDBRACES

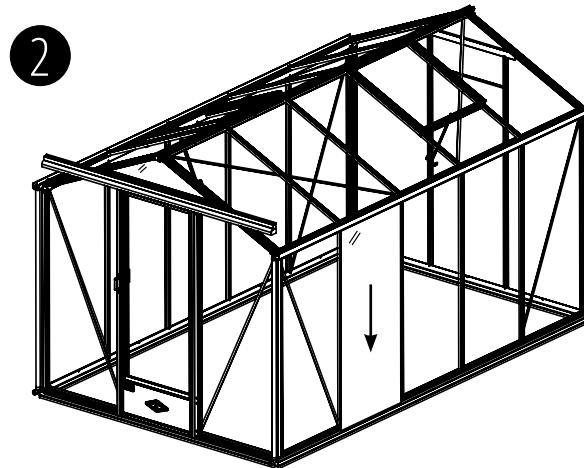
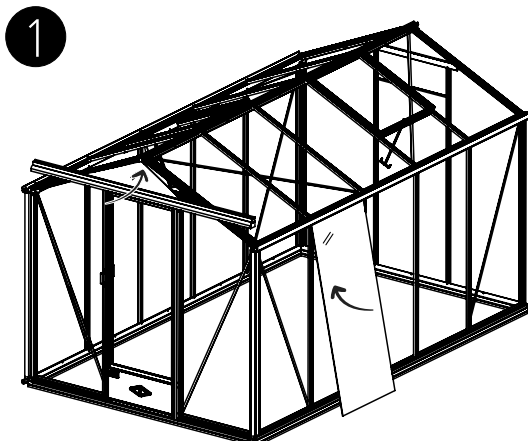


The structure of your greenhouse is now assembled. Next, before installing the roof glazing and then the wall glazing make sure that all M6 nuts are properly tightened.  It is possible that the windbraces are not fully tensioned. The tension will occur as soon as the glazing is installed, which you can start.

## INFORMATION OF THE INSTALLATION OF THE GLAZING AND SEAL

### On the walls:

Position two glasses on each side of the profile, then install the seal (30) on the profile, starting from the bottom. The seal may shrink by approximately 3% under the effect of heat. The seal should therefore extend 6 cm beyond the bottom edge, resting on the baseframe. The entire profile must be covered with the seal, including the section under the gutter (the seal should be slid underneath).



### On the roof:

First, position the seal on the roof corner profile (top of the gable from the outside). Accessing through the window, you can position the seal on the upper part of the profile, covering approximately half of it. The seal will be installed from the outside of the greenhouse for the lower part of the profile. As with the wall, leave a surplus protruding into the gutter.



Fix the seal along the entire length of the profiles, including those of the window(s).

Suggestion: To make it easier to attach the gasket to the profiles, use the gasket roller provided by us. 

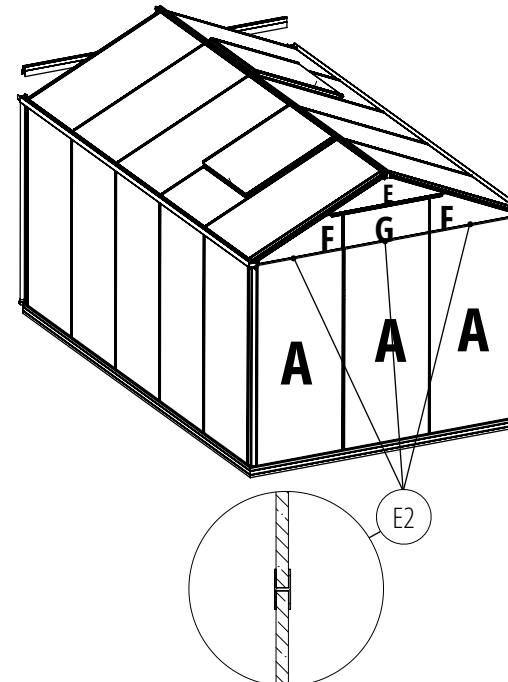
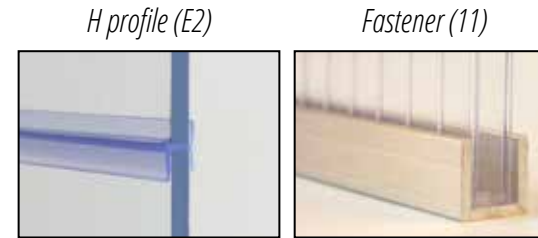
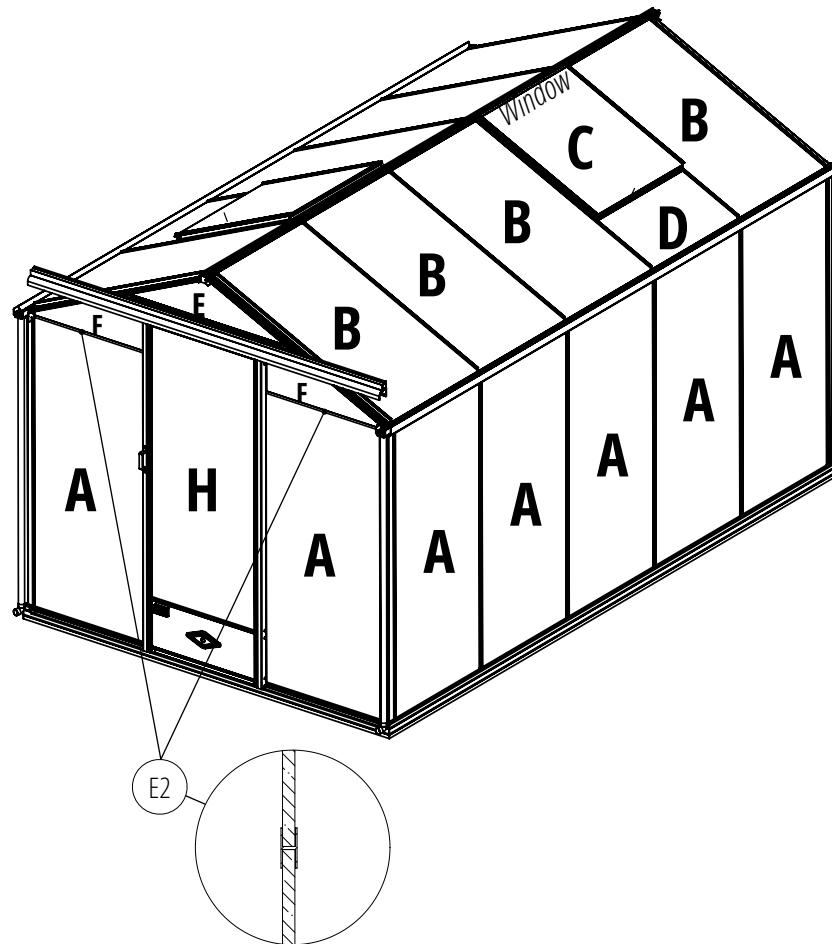
 <b>YouTube</b> Serres Lams	Seal 	Suction cup 	Wall glass 	Roof glass 
--	---	--	---	---

# INSTALLATION OF THE GLAZING

Here you can see the list of the individual glass panes (according to your choice 4 mm transparent tempered glass, 4 mm hammered glass or 8 mm panels).  
**On the gable side, you have to position the PVC-H profile between the glass panes A and the glass panes F and G (5 pieces in total).**

If you have replaced the tempered glass glazing with polycarbonate panels, the installation method remains the same. Please note that for the installation of the roof glazing you need to install the fastener (11) at the bottom end of the panels (see picture below).

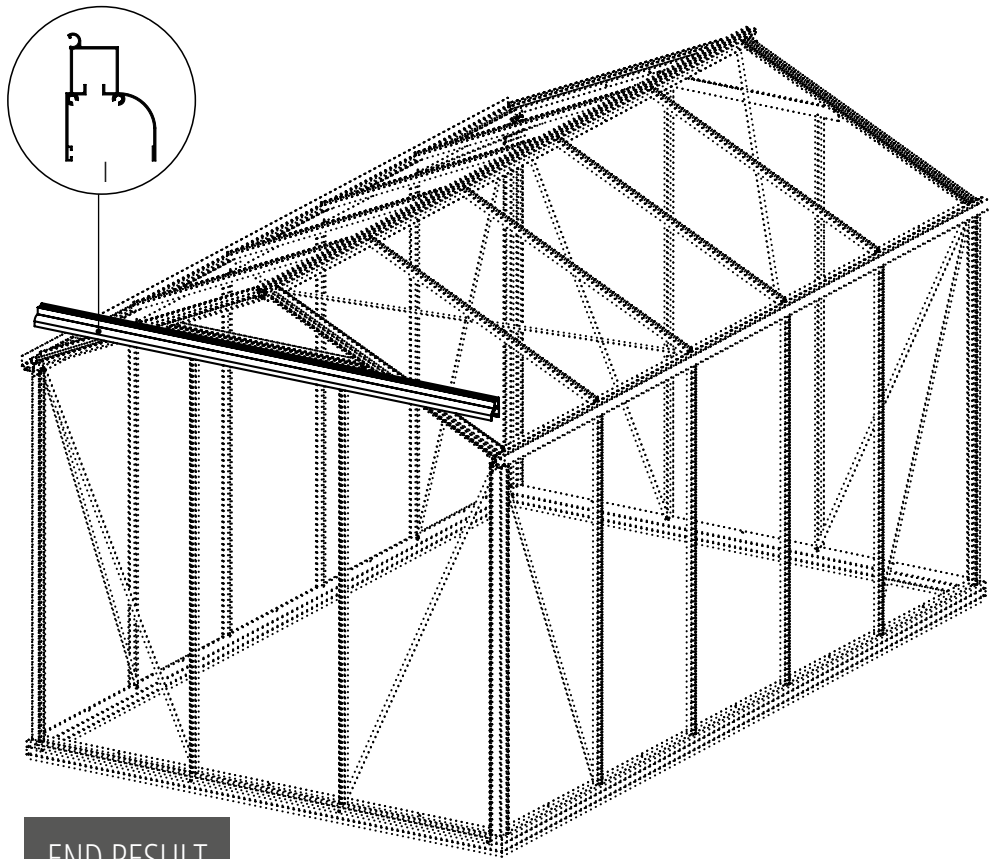
The open spaces provided by the roof windows allow you to access the profiles at the ridge to install the roof glazing and sealing.



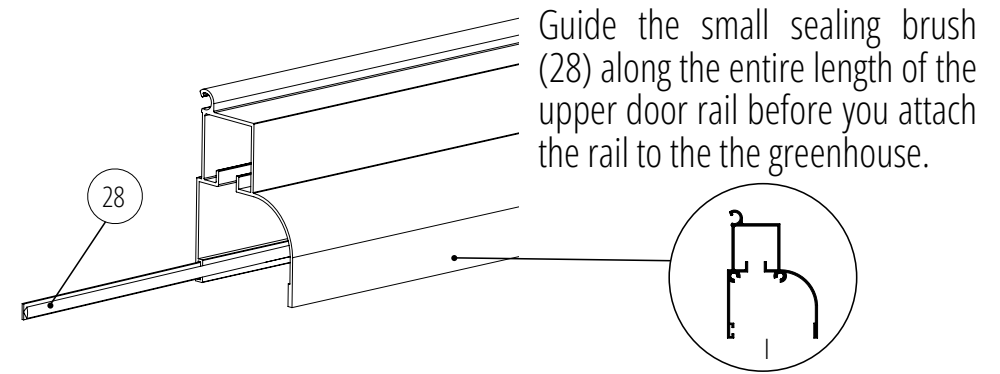
Marker	Size in mm
<b>A</b>	1650 x 730 mm
<b>B</b>	1242 x 730 mm
<b>C</b>	825 x 730 mm
<b>D</b>	<i>Under Window glass</i> 420 x 730 mm
<b>E</b>	990 x 220 x 25 mm
<b>F</b>	295 x 730 x 136 mm
<b>G</b>	296 x 730 mm
<b>H</b>	1550 x 660 mm

**Use the suction cup provided when placing the glazing. Make sure that you pick up the glasses well with the suction cup.**

# INSTALLATION OF THE UPPER DOOR RAIL

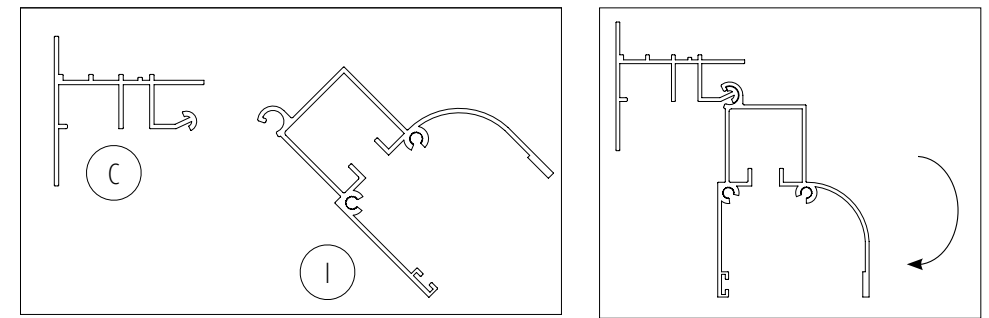


END RESULT

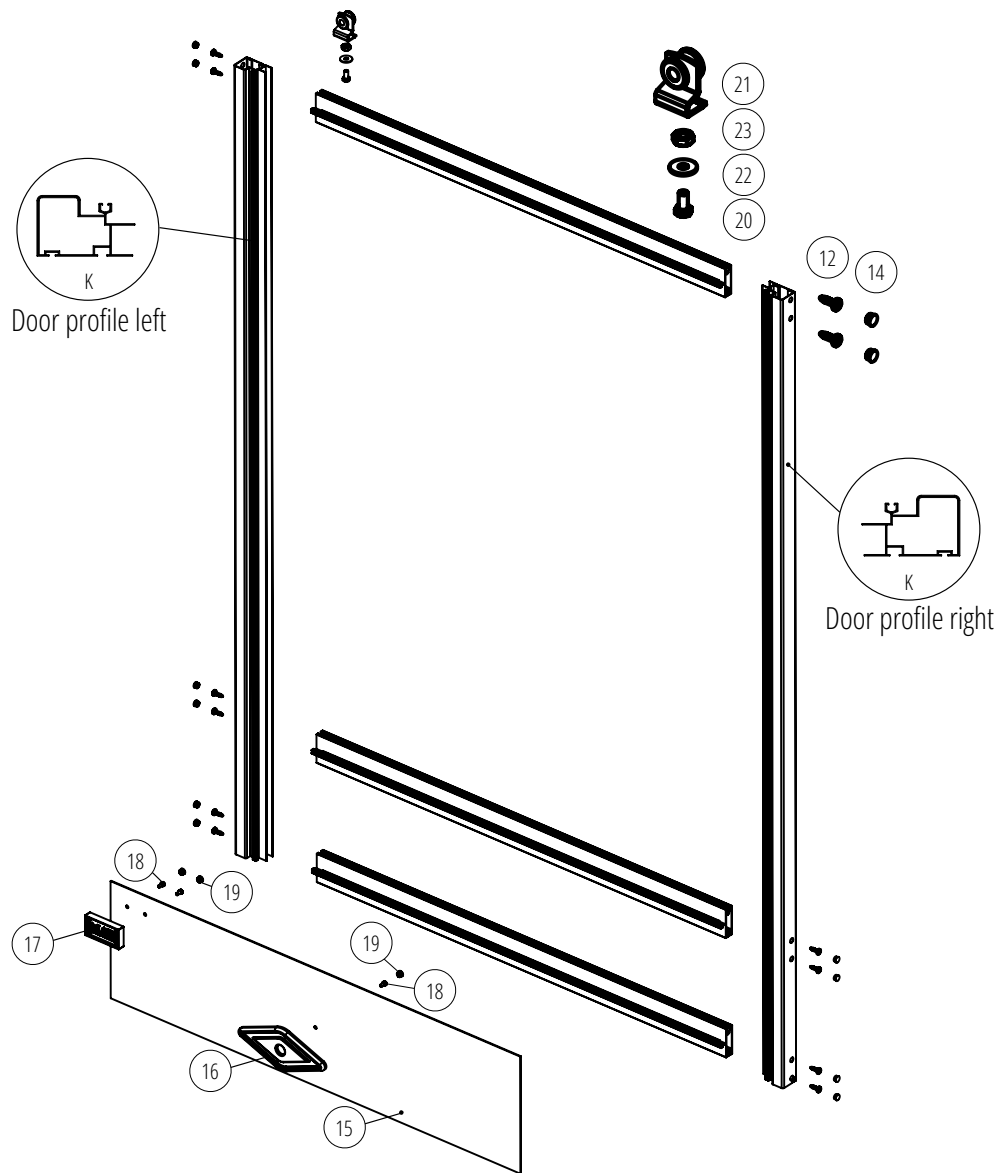


Guide the small sealing brush (28) along the entire length of the upper door rail before you attach the rail to the greenhouse.

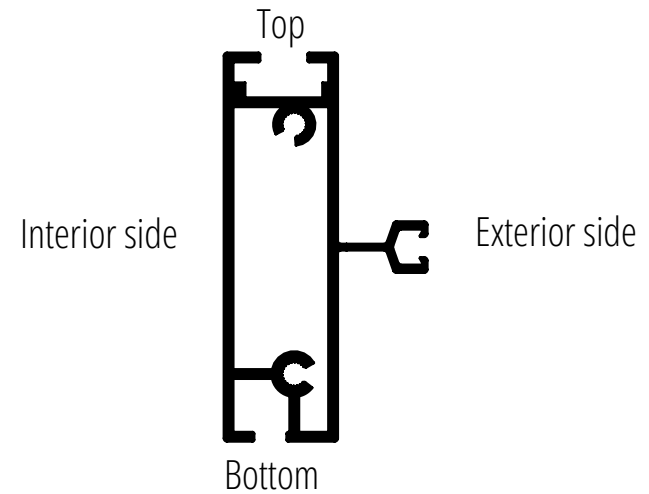
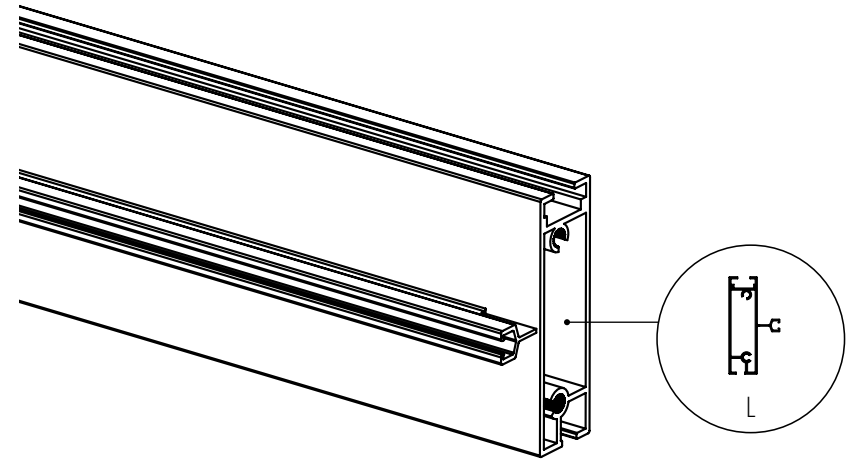
## Fastening the door rail to the crossbeam (gable side)



# ASSEMBLY OF THE DOOR

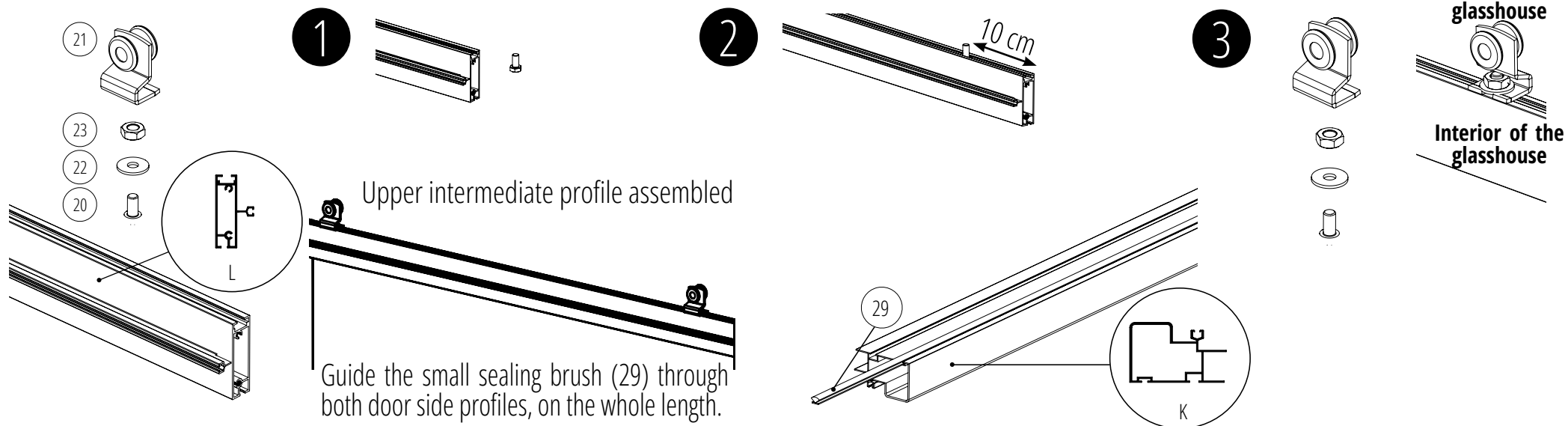


Install the **intermediate door profile** as presented, so that it can slide well on the lower door rail.



## ASSEMBLY OF THE DOOR

Mount the door rollers on the upper intermediate door profile before completely assembling the door.  
Insert the screw (20) into the upper groove, 10 cm from the end of the intermediate profile. Then add the disk and nut and fasten with the combination wrench. Repeat this on the opposite side.

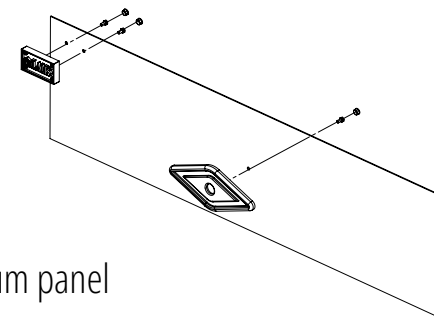
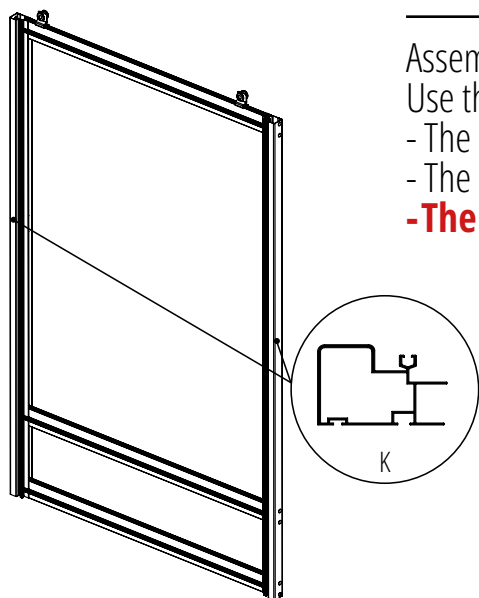


Assemble the door structure, see illustration on previous page:

Use the 12 screws (12) and plastic cover caps (14) for:

- The upper intermediate profile
- The middle intermediate profile

**-The lower intermediate profile** (refer to the information on the previous page)



Fastening the logo and palmette to the aluminium panel

## ASSEMBLY OF THE DOOR

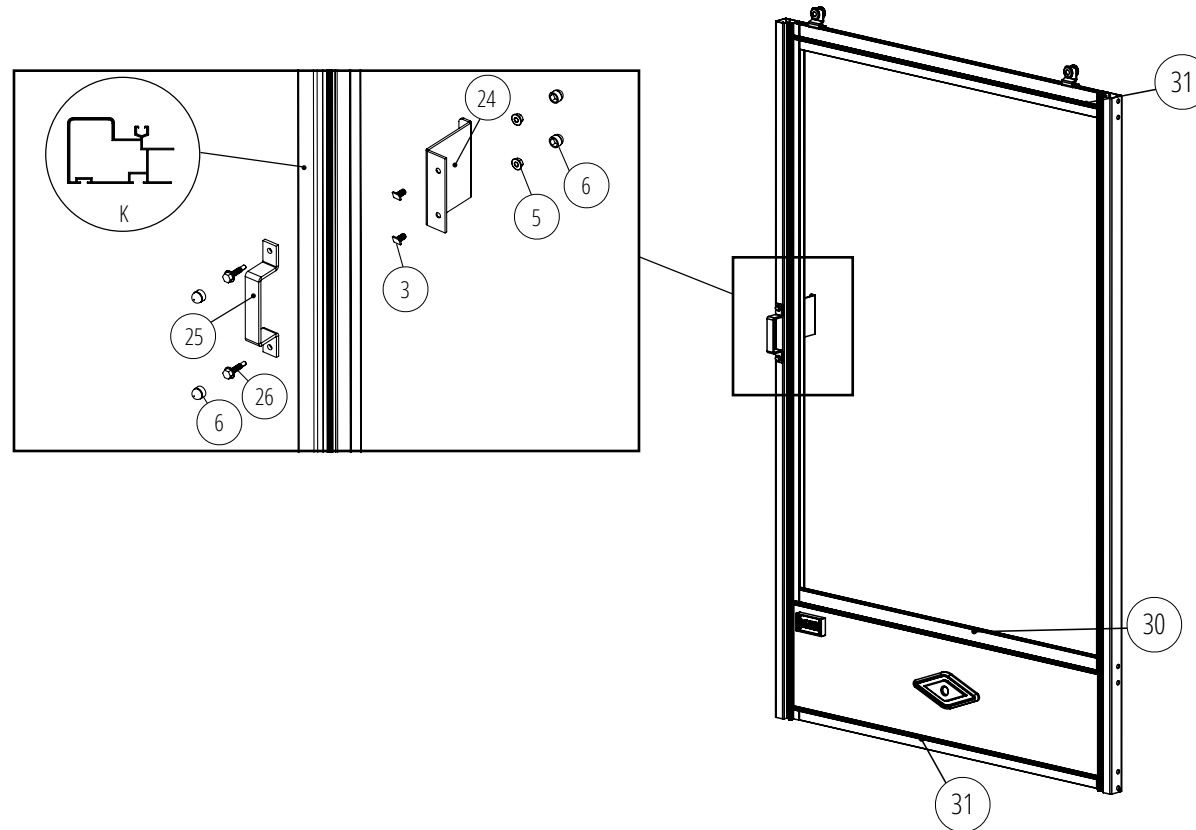


The two door handles are mounted after the door (with the glass pane) has been placed on the greenhouse.

Position the lower door panel at the bottom of the door. To hold it in place on the door, fix the rubber seal (31) on the bottom profile by placing its lip side of on the panel sheet. Allow it to protrude by 1 cm on each side.

**Now you can attach the door to the upper door rail (see next page).**

Add the door handles after the door is installed on the greenhouse



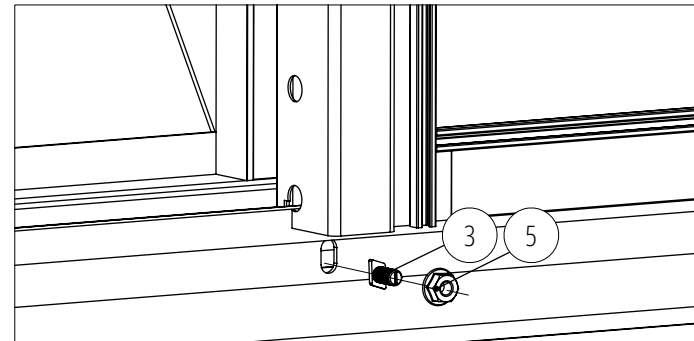
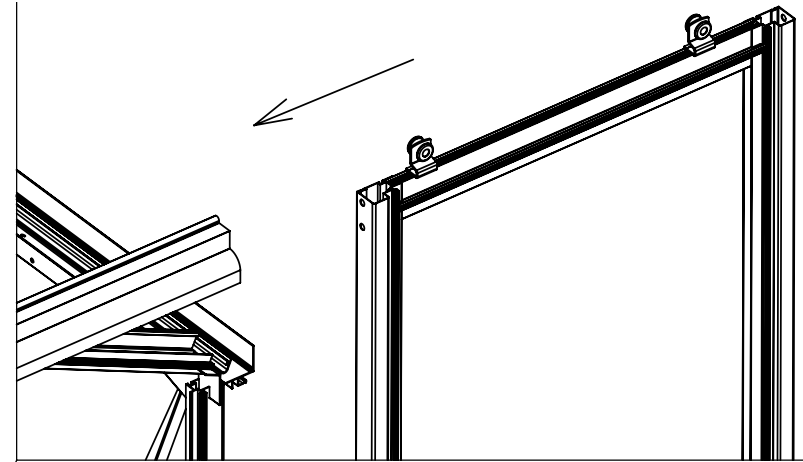
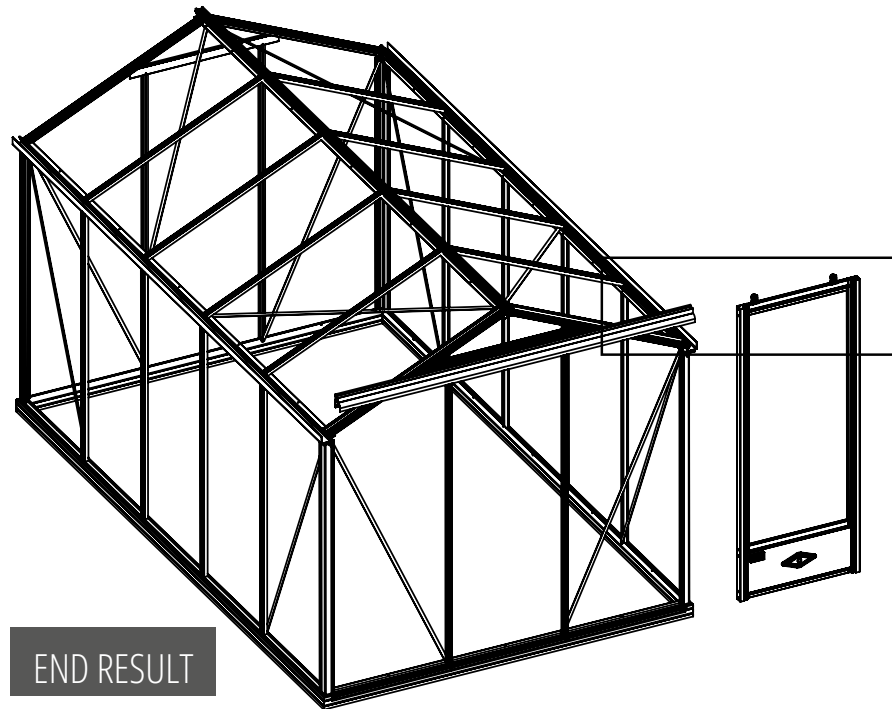
## INSTALLATION OF THE DOOR

As soon as all the glass has been attached to the greenhouse, you can put the door in place - without the glass pane.

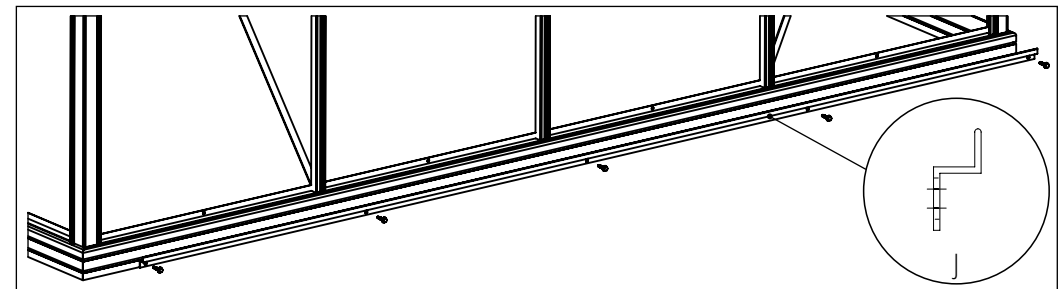
Once the door is in place, add the door glass: Place the glass pane from the outside (like the rest of the greenhouse glazing).

To hold the glass in place, fix the seal (31) on the top intermediate profile with its lip side on the glass, then the seal (30) on the middle intermediate profile. Then attach the gasket to both door side profiles, covering the outer ends of the gasket on the intermediate profiles.

of the gasket on the intermediate profiles. Finally, attach the door handles.



**The lower door rail is installed at the end. The correct installation insures a good sliding of the door.**



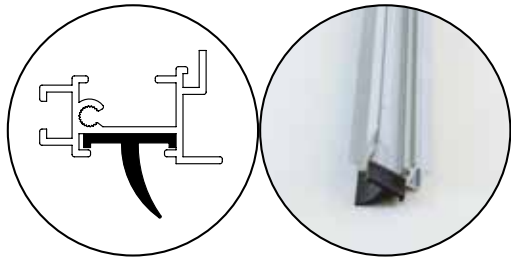
**The sliding of the door:**

- The lower door rail is equipped with an oblong hole for better installation.
- The rail must be kept clean: remove leaves, soil residues...



# ASSEMBLY OF THE ROOF WINDOW

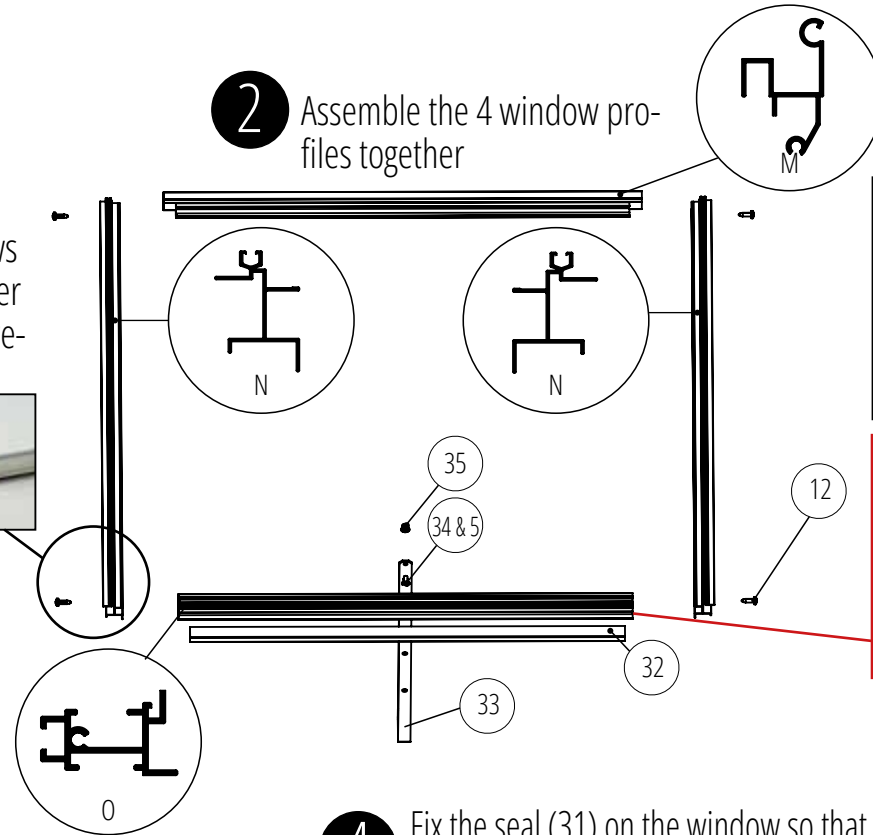
**1** Slide the window seal (32) into the lower window profile (0)



Fasten the screws with a screwdriver (not battery-powered)

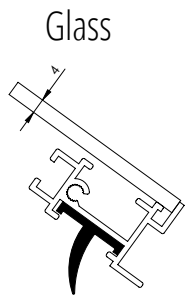


**2** Assemble the 4 window profiles together

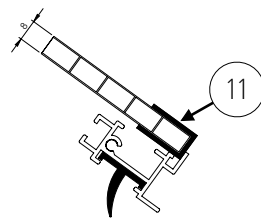


**Insert the M6 x 40 (34) screw into the profile (0)**

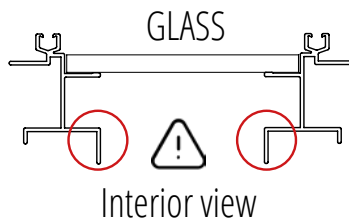
**3** Put the glass on the window frame



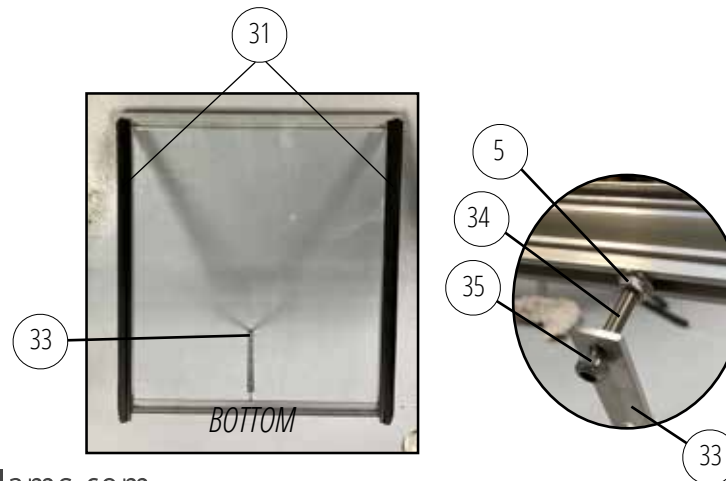
Polycarbonate



## Installation of the 2 side profiles



**4** Fix the seal (31) on the window so that the side with the lip rests on the glass.



Center the M6x40 screw (34) on the profile (0) and secure it with a flange nut (5).

Insert the manual opener (33) and then position the lock nut (35).

If you have 8 mm panels, add the fastener (11) at the bottom end of the panel.

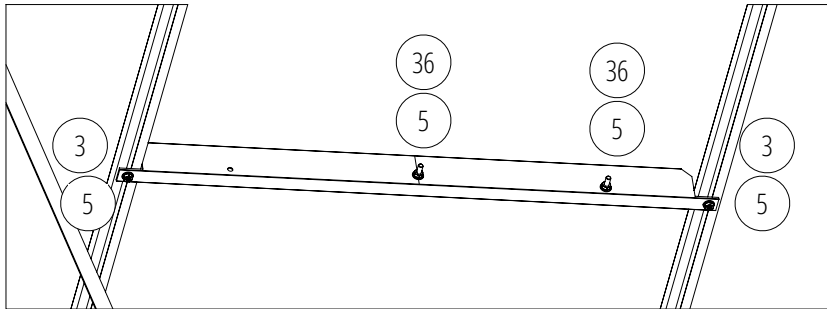
# INSTALLATION OF THE ROOF WINDOW

**Assemble the window completely (with glass pane) as indicated on the previous page before installing the window on the roof.**

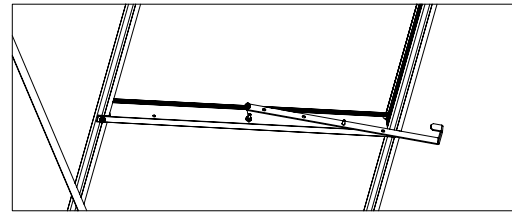
## 1 Installation of the window stopper profile

Fasten the hammer-head screw (3) and nut (5) to the window stop profile by standing under the greenhouse.

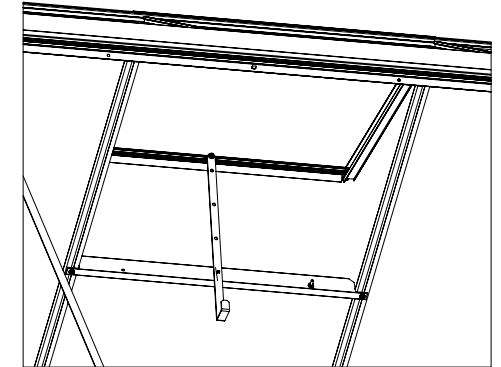
To hold the manual window opener horizontally or vertically, fix a screw (36) in the middle hole and in one of the side holes, which is held by a nut (5).



Manual window opener closed



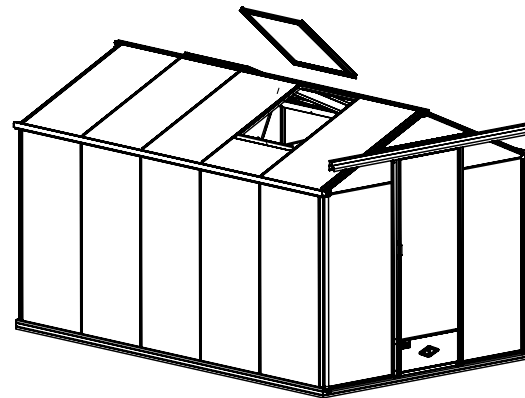
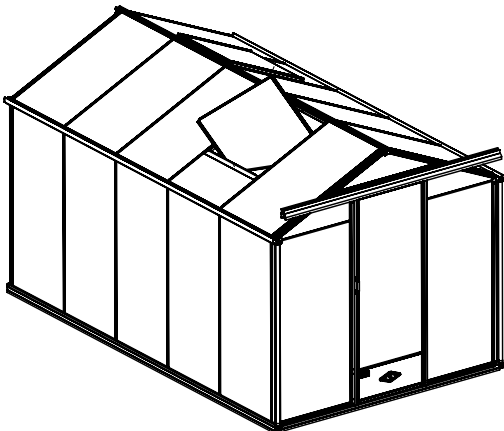
Manual window opener open



In case of strong wind, the manual window opener can be lifted and open (possibly even fall out of the ridge) even though it is in the closed position. To avoid this we recommend to block the manual window opener with the nut (5) and the screw (36).

## 2 Installation of the window

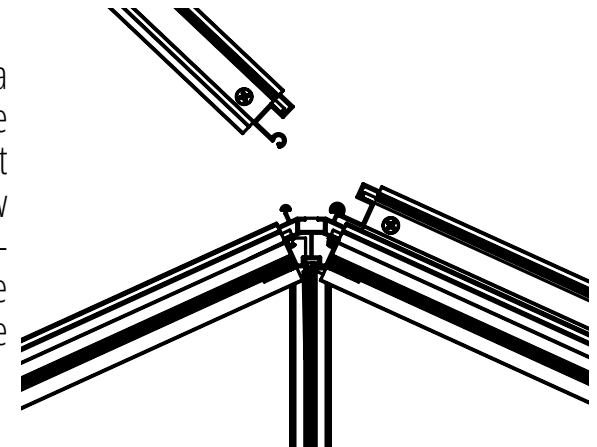
Lift the window out of the greenhouse and place it in front of the ridge.



## 3 Fastening the window

Clip the upper window profile to the insert provided on the roof ridge.

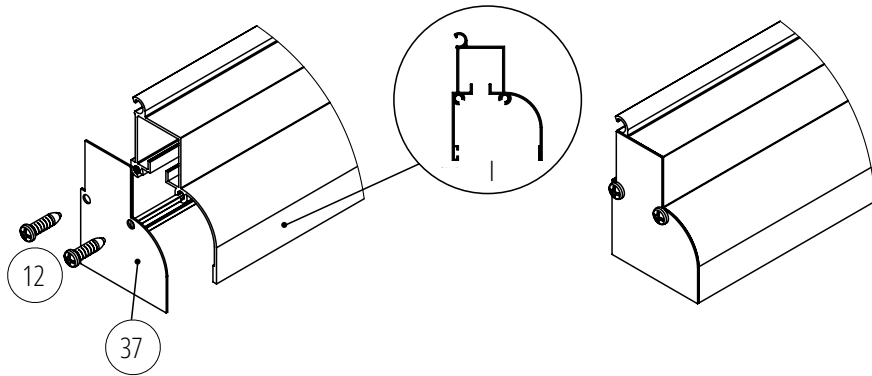
If you have a victorian ridge cresting, insert the window from an extremity of the ridge and slide it to its place.



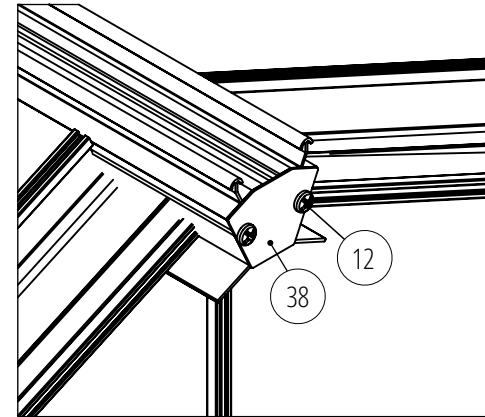
You can then add more windows. Just note that two windows cannot be placed next to each other. There must always be a pane of glass between them.

# COMPLETION

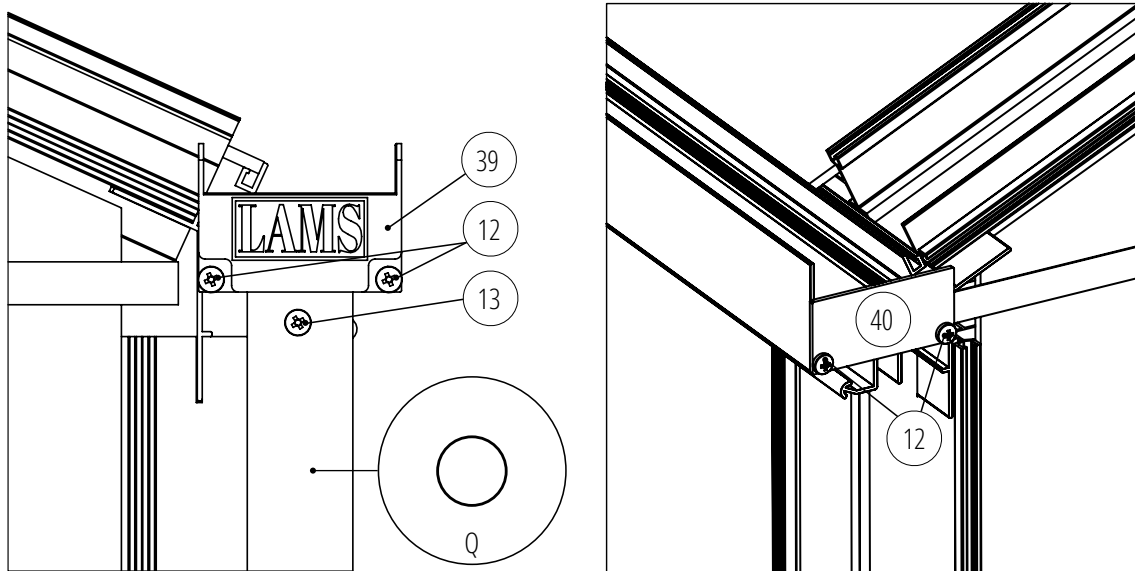
## 1 Installation of the upper rail cover cap:



## 2 Installation of the ridge cover cap:

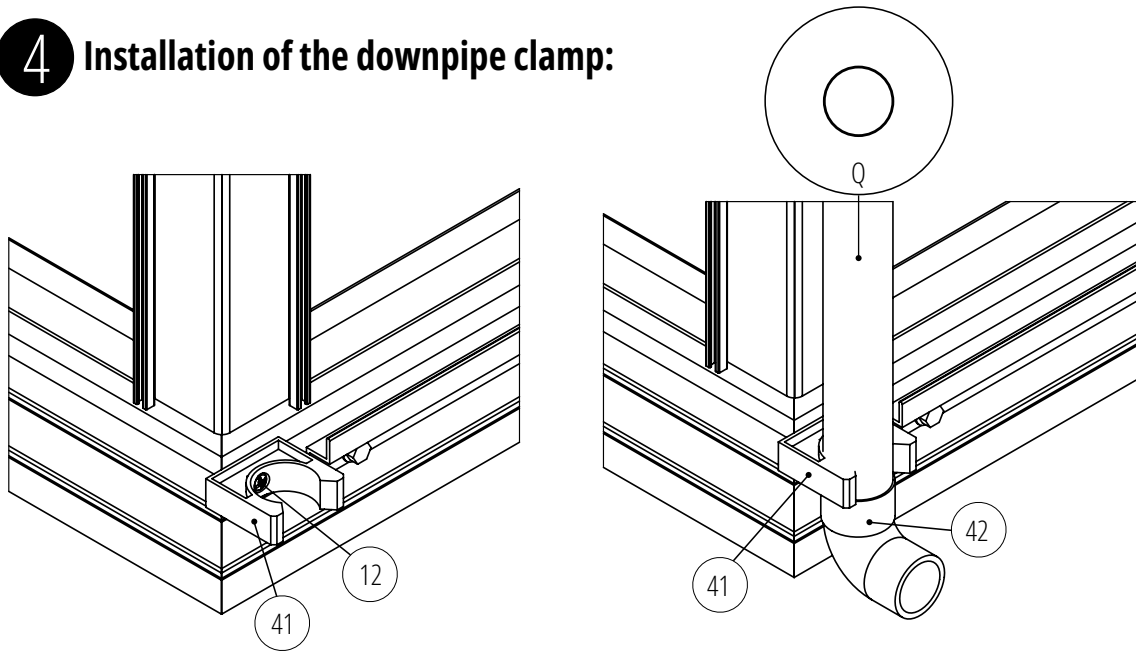


## 3 Installation of the gutter endpiece, connector and downpipe:



## COMPLETION

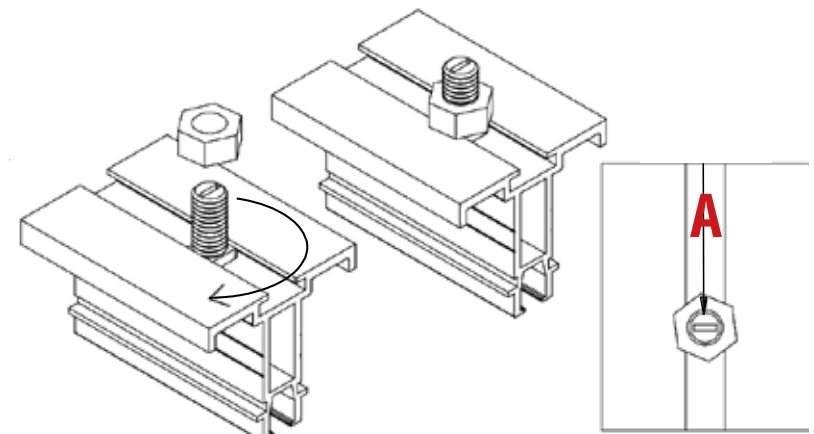
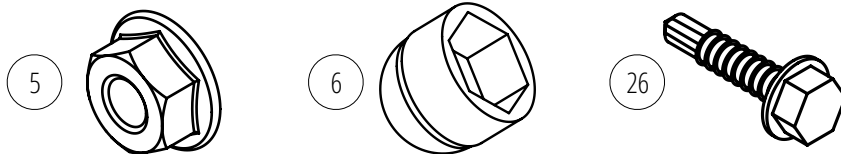
### 4 Installation of the downpipe clamp:



First attach the pipe bracket to the downpipe. If the downpipe is painted, the paint may interfere with handling. Use a little sandpaper to remove some of the paint and make it easier to attach the angle bracket. Then attach the downpipe to the downpipe connection. Then attach the downpipe clamp (41) so that the downpipe is vertical and properly aligned.

### 5 Add the plastic cover caps (optional):

Your greenhouse is now completely ready. You can put the plastic cover caps on the M6 nuts (5) and hexagonal drill screws (26). Use this last step to check one last time that the nuts are correctly tightened and that the hammer-head screws (3) have been fitted correctly, perpendicular to the profile gap (A).



## OPTIONS & ACCESSORIES

These products can be ordered at any time after purchasing your greenhouse on our website [www.serres-lams.com](http://www.serres-lams.com)

### REGULATE THE TEMPERATURE IN THE GREENHOUSE



#### **Automatic window opener**

Provides an automatic opening and closing of the window depending the indoor temperature.



#### **Shading system**

Protects your plants or interior furnishings from strong sunlight (magnifying glass effect).



#### **Additional roof window**

Provides an additional opening to ventilate your greenhouse.



#### **Side window**

Provides an additional opening to ventilate your greenhouse.

## OPTIONS & ACCESSORIES

These products can be ordered at any time after purchasing your greenhouse on our website [www.serres-lams.com](http://www.serres-lams.com)

### ADDITIONAL SLIDING DOORS



**Insect screen door W. 0,70 m**



**Door W. 0,77 m**



**Door W. 1,00 m**



**Double door 2 x 0,77 m**

By adding an extra door, the ventilation of the greenhouse can be optimised. Replacing a single door with a double door can make your life easier to bring in large pots of citrus plants or for easier access with a wheelbarrow. Our sliding doors can be fitted at any time on the gable or long side (contact us for more information).

## OPTIONS & ACCESSORIES

These products can be ordered at any time after purchasing your greenhouse on our website [www.serres-lams.com](http://www.serres-lams.com)

### RIDGE CRESTING AND PRACTICABILITY



#### **Victorian ridge creasting**

Ridge creasting made from aluminium smelter and painted in the same colours as your greenhouse.



#### **Set of 2 access ramps - 46 x 42 cm**

For easy and safe access with your wheelbarrow, when the door is open.

## OPTIONS & ACCESSORIES

These products can be ordered at any time after purchasing your greenhouse on our website [www.serres-lams.com](http://www.serres-lams.com)

### GREENHOUSE SET-UP



**Table**



**Growing**



**Cultivation tray with removable bottom**



**Cultivation tray with waterproof bottom**

Indispensable and useful accessories for a good use of your greenhouse: preparation of the plants, storage place during gardening, ...



*French glasshouse designer & manufacturer since 1993*

*DOVIRIS - 43 Avenue Georges Clémenceau 85120 LA CHÂTAIGNERAIE - FRANCE - [www.serres-lams.com](http://www.serres-lams.com)  
Non contractual visuals and illustrations.*

